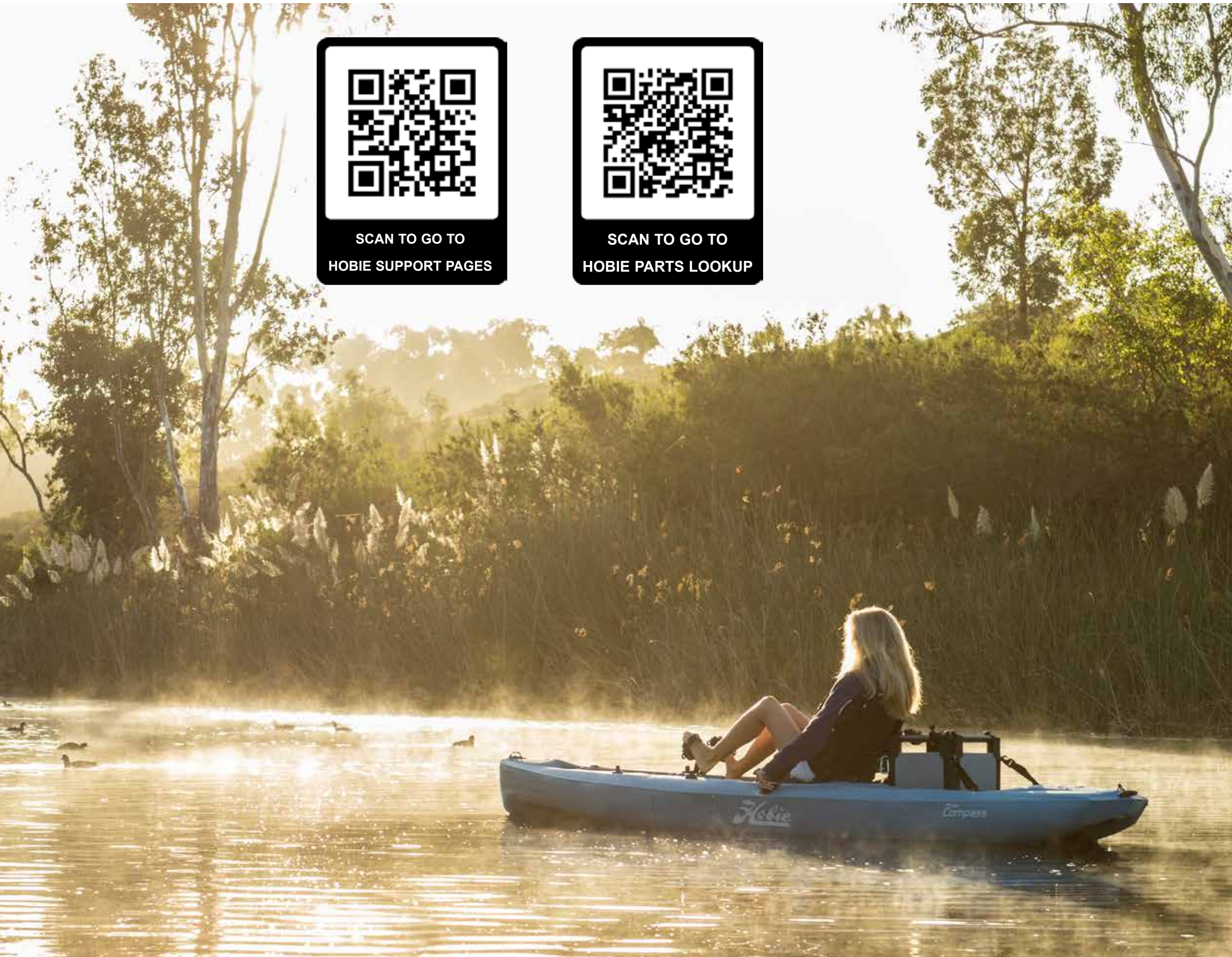


# Hobie

KAYAK AND ECLIPSE PARTS & ACCESSORIES



THROUGH MARCH 2020





**SCAN TO GO TO  
HOBIE SUPPORT PAGES**



**SCAN TO GO TO  
HOBIE PARTS LOOKUP**

# CONTENTS

ITEM	PAGE
LIFE VESTS / PFD	2-3
MIRAGEDRIVE® ACCESSORIES	4-5
SAIL KITS / GLOVES	6-7
BIMINI / SIDEKICK / DODGERS / MISC	8-9
ISLAND SPINNAKER / TRAMPOLINES	10-11
HATCH LINERS / HATCHES / BAGS	12-13
<hr/>	
KAYAK CARTS	14-15
KAYAK DOLLIES / TRAILERS	16-17
RACK PADS / STRAPS	18
LOAD ACCESSORIES	19
COVERS / BAGS / ACCESSORIES	20-21
<hr/>	
EVOLVE / TROLLING MOTORS	22-23
LIVEWELLS	24-25
H-BAR / H-CRATE / H-RAIL KITS	26-27
H-RAIL ACCESSORIES & HOBIE ROD HOLDERS	28-29
RAM ROD HOLDERS / MOUNTS	30-31
RAILBLAZA MOUNTS / ACCESSORIES	32-33
SCOTTY ROD HOLDERS / MOUNTS / HUNTING	34-35
STAKE OUT POLE / DRIFT CHUTE / ANCHOR KIT	36
POWER-POLE	37
FISHFINDERS / MOUNTS / INSTALL KITS	38-39
ACCESSORIES / DECK PAD KITS	40-41
ECLIPSE ACCESSORIES / SUP PADDLES	42-43
SAFETY / ACCESSORIES / PET PFD	44-45
<hr/>	
MAINTENANCE / MISC ACCESSORIES	46-47
HARDWARE / LINE / TOOLS	48-49
HOBIE SUNGLASSES / APPAREL HOBIE.COM	50-53
<hr/>	
PARTS DIAGRAMS / SUPPORT	54-70
LIVEWELL PARTS	71
NUMERICAL PARTS LIST	71-77

*Note: Freight to dealers is not included in pricing.*  
 No portion of this catalog may be reproduced without the express permission of the Hobie Cat Company.  
 All rights reserved. ©2019 Hobie Cat Company. Oceanside, CA 92056  
 Pricing subject to change. Printed in USA

# LIFE VESTS & PFDs



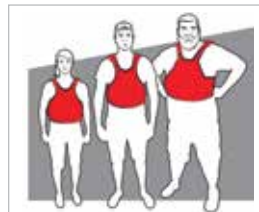
**S6103xx** (xx = size)  
MEN'S SUN

**HOBIE THIN-BACK** by Stohlquist  
Features a thin foam back design ... perfect for use with Hobie Vantage seats. This thinner back profile provides more mobility and comfort, while reducing interference with taller seat backs.  
**THIN-BACK S6103-6**  
**THIN-BACK FISH S6107**

**FEATURES:**  
Thin back design works with all seat styles; Graded Sizing provides the best possible fit; Open sides for ventilation; Cross-chest cinch harness for zero ride-up; Mesh shoulders & interior panels for maximum ventilation; Adjustable shoulders, and dual forward pulls for a custom fit; Zippered front pockets offer organization; Built-in beverage holder and neoprene sunglasses sleeve; Entry grip tab at zipper base; #10 YKK zipper with non-corroding slider; Lightweight PE Foam; Type III PFD with sea level buoyancy: SM: 16 lbs, 8oz / LXL: 17 lbs / XXL: 17 lbs, 8oz

**CONSTRUCTION:**  
• Mini Ripstop nylon outer shell  
• 200 denier oxford liner  
• USCG approved

MEN'S		WOMEN'S	
SIZE	CHEST	SIZE	CHEST
SM	30" - 40"	XSS	28" - 34"
LXL	40" - 46"	ML	34" - 40"
XXL	46" - 52"	PL	40" - 46"



**GRADED PFD SIZING**  
Fine tuned for each individual size, and sculpted foam footprint and foam thickness to provide a better fitting, and more comfortable PFD for people of all sizes.



**S6104xx** (xx = size)  
MEN'S SLATE



**S6107xx** (xx = size)  
MEN'S FISH SLATE GREEN



**S6105xx** (xx = size)  
WOMEN'S SUN



**S6106xx** (xx = size)  
WOMEN'S SLATE



**HOBIE MIRAGE PFD**  
This PFD was designed for Vantage high back seats on Hobie Mirage Kayaks. The flotation in the back is thin for more comfort while seated and helps to prevent the vest from riding up as you pedal. A vent along the spine adds to the comfort. Front zip entry for easy on and off. Large pockets on the front for easy storage and access of small items. High waistline cut so the vest does not ride-up while pedaling. Huge arm cutouts and the short waist allow excellent freedom of movement. Adjustable side straps offer enough size variation for many layers underneath or none! Reflective tapes for visibility during low light conditions. Back logos vary between "H" and Penguin Logo.  
(xxx = SMD - MLG - LXL) (UL - Approved) for use in USA Only  
**S6800xxx** PFD MIRAGE GRAY

**SIZING**

SIZE	CHEST
SM	33" - 39"
LXL	40" - 46"
XXL	48" - 54"



**HOBIE EDGE** by Stohlquist  
An innovative, high mobility, low profile boating vest for kayaking, SUP, and wetsailing.  
**S6108xxx** (xxx = size)

**FEATURES:**  
Ergonomic WRAPTURE™ shaped torso; Adjustable shoulders, 4 side pulls, and front waist buckle closure; Low cut, offset front-zip entry; Large arm openings for unrestricted whitewater and SUP paddling; Contoured padded shoulder straps; High visibility 3M™ reflective accents; Roomy, top loading front pocket for secure storage and easy accessibility; Mesh sides for maximum ventilation; Mini-Ripstop nylon shell & 200 denier oxford liner; Type III PFD with sea level buoyancy listed: SM: 15 lbs, 8oz / LXL: 16 lbs, 8oz / XXL: 17 lbs, 8oz

**CONSTRUCTION:**  
• Mini Ripstop nylon outer shell  
• 200 denier oxford liner  
• USCG approved

**SAFETY TIP**

**LIFE VESTS:** Get a good, comfortable life vest and WEAR IT! A life vest does you little good stored on your boat, especially if you get tossed into the water and away from your boat. Accidents happen and by their nature, they happen when you are not prepared. A life vest can keep you afloat until you can rescue yourself or you can be rescued by others. In the worst cases when injuries or cold water are involved, your life vest can make all the difference! Be sure everyone onboard your boat wears a life vest too! Pass the word! Federal law now requires that all persons below the age of 13 must wear a life jacket while aboard a boat.



**HOBIE INFLATABLE PFDs**  
Light weight and comfortable. Ready when you need it, manual CO2 inflation or by mouth inflator allows for swimming, wading and intentional immersion. **NOTE: AIR SHIPPING RESTRICTIONS CO2 / DANGEROUS GOODS**

Coast Guard Approved Type III Nearly twice the buoyancy of USCG foam PFD Shortened slim fit shell for improved comfort when pedaling a Mirage kayak Mesh Yoke Back Strap for breathability and preventing ride-up Large Easy Access Storage pocket for increased storage capacity Inflates manually for flotation only when it's desired D-ring for accessory attachment Accessory attachment straps Interior pocket for holding spare CO2 inflation cylinder Fits 30-52" chests and users 16+ years Included 24g CO2 cylinder provides 26 lbs. of flotation

- S6782BL** PFD INFLATABLE BLUE - 24g
- S6782GR** PFD INFLATABLE GREEN - 24g
- S6782RD** PFD INFLATABLE RED - 24g
- S6782TN** PFD INFLATABLE TAN - 24g
- S6779R** PFD INFLATABLE REARM KIT 24g



16g YELLOW

16g BLUE

**HOBIE INFLATABLE BELT PACK PFDs**  
Belt carried PFD designs are cooler and more comfortable than typical PFDs. Functional design for multiple types of water sports from fishing, kayaking, sailing to stand up paddling (SUP). USCG Approved Type III PFD, approved for use by persons 80 lbs and 16 years of age or older. Size: Universal Adult Size. Durable ripstop nylon pack. 2" wide, adjustable, nylon waist belt. Includes (1) CO2 Cylinder and instructions. 16g offers Buoyancy 16.5 Pounds. Slim fit. **NOTE: AIR SHIPPING RESTRICTIONS CO2 / DANGEROUS GOODS**

- S6783BL** PFD BELT PACK BLUE 16g
- S6783YL** PFD BELT PACK YELLOW 16g
- S6780R** PFD INFLATABLE REARM KIT 16g

**HOBIE INFANT/CHILD/YOUTH VESTS**  
These are easy to adjust for different small sized crews.

- (Lime Green)
- S6771CLG** LIME 30-50#
- S6771ILG** LIME <30#

- S6771YLG** LIME 50-90#



# MIRAGEDRIVE



Hobie  
MirageDrive 180

## HOBBIE MIRAGEDRIVE *Note: "ST" = SQUARE TOP*

- 81189001 MIRAGEDRIVE 180 SQ CRANK - ST FINS
- 81189101 MIRAGEDRIVE 180i SQ CRANK - ST FINS iSeries
- 81188001 MIRAGEDRIVE 180 SQ CRANK - ST TURBO FINS

- 81183 MIRAGEDRIVE 180 ARC CRANK - ST FINS
- 81185 MIRAGEDRIVE 180i ARC CRANK - ST FINS iSeries
- 81184 MIRAGEDRIVE 180 ARC CRANK - ST TURBO FINS

- 80010501 MIRAGE DRIVE GT - ST FINS
- 80013501 MIRAGE DRIVE GTi - ST FINS iSeries
- 80012501 MIRAGE DRIVE GTT - ST TURBO FINS

## PERFORMANCE FINS - ST TURBO!

Increase your performance or increase your fitness routine, you choose the fin that is right for you: Standard or Turbo... low or a higher gear! This is very evident when using a sailing kit. The added power and speed of the sail often outpaces the standard fins (similar to pedaling a bike down hill in first gear).

Want to go really fast? Add TURBOs. Hobie Mirage kayak users report as much as 10% increase in speed and more using TURBO Fins. But its not all about speed, you can get top end speed and a slower cadence for cruising (Less pedals per mile). All achieved with these larger and more efficient fin designs. These longer fins can also increase lateral resistance for sailing upwind.

### ST TURBO FIN KITS

*Kits come with 2 fins & 2 longer masts*

- 72067032 MD180 ST TURBO FIN KIT **NEW!! KU VERSION** - GRY/BLK  
(Only for MD180 KU DRIVE)

- 72067002 MD180 ST TURBO FIN KIT V2/GT - GRY/BLK

- 72066001 ST TURBO FIN KIT V2/GT - GRY/BLK (Threaded Sprocket)
- 72066021 ST TURBO FIN KIT V2/GT - RED/BLK (Threaded Sprocket)
- 72066031 ST TURBO FIN KIT V2/GT - BLU/BLK (Threaded Sprocket)

- 72065 ST TURBO Fin Kit (Older SS & Set-screw Sprocket)



ST TURBO  
V2/GT RED FIN KIT

MD180 ST TURBO FIN KIT  
72067002

## MIRAGEDRIVE SPARE PARTS KITS GT & MD180

Spare parts kits include a fin, mast, sprocket (For GT Version), chain and appropriate parts for the drive version. Threaded sprockets and masts. All in a handy zippered pouch. Available for ST or ST Turbo fin drives.

- 80010401 GT ST BLUE FIN PARTS KIT
- 80013401 GT TURBO BLUE FIN PARTS KIT

- 81527021 MD180 ST PARTS KIT
- 81527022 MD180 ST TURBO PARTS KIT



80010401 SHOWN



## LEASH KIT - MIRAGEDRIVE

Protect your investment from an accidental drop overboard. Includes hardware for attachment to the hull.

- 74052101 LEASH KIT - MIRAGEDRIVE

## HOBBIE MULTI-LUBE

A planet-safe lubricant recommended for lubricating MirageDrives and many other uses. Environmentally friendly for in-the-water applications. Hobie Multi-Lube offers excellent lubrication, is an anti corrosive coating, great for cleaning and many other uses... use on nearly anything that squeaks, rusts, corrodes or binds up; MirageDrives, rudder drums, cams, fishing reels and more. The 1 oz size is perfect for getting the lubricant into tight spaces by using the needle applicator. The 4 oz size has a spray applicator for coating chains and larger surfaces, shafts and bulky parts. Every Hobie owner should have Hobie Multi-Lube. Be nice to our planet, keep MirageDrives and other components running smoothly and lasting longer without polluting our waterways. Use it for all shop, home and sport lubrication needs.



- 5120 HOBBIE MULTI LUBE 1 OZ
- 5121 HOBBIE MULTI LUBE 4 OZ



## PEDAL PAD KIT

Softer on your feet! Neoprene pads are self adhesive and stick right to your pedals. Stock on Drives built in 2010+

- 72020034 PEDAL PAD KIT BLACK (PAIR)



## DRIVE WELL SEAL

For older version MirageDrives (pre-2013). Keeps the seat area drier. Kit includes one seal and two attachment "zip ties".

- 81037001 WELL SEAL
- 81038001 i - WELL SEAL



SCAN TO GO TO  
HOBBIE SUPPORT PAGES



SCAN TO GO TO  
HOBBIE PARTS LOOKUP

# MIRAGE SAIL KIT

ADD SAILING TO YOUR HOBIE  
MIRAGE KAYAK EXPERIENCE!



## MIRAGE KAYAK SAIL KIT

Add sail power to Hobie Mirage Kayaks! (Fits all current models of Hobie Mirage Kayaks). Sail with ease maintaining excellent speed with or without pedaling while sailing. Easily pedal out to sail or pedal home when the wind is too light. Add a SideKick ama kit for additional stability if desired. The MirageDrive pedal system's fins act as a keel or centerboard when in the down position offering the lateral resistance needed for upwind sailing.

### SAIL KIT INCLUDES:

Mast\*, sail (20.25 sq ft.), lines, fittings and storage bag.  
(\*2 Piece mast standard / 4 Piece mast for i-Series)

Add the large rudder #81397001 for more responsive rudder control. Adventure / Revolution 16 models can add the dagger board for enhanced upwind performance.

**84512002** SAIL KIT RED/SILVER  
**84514002** SAIL KIT PAPAYA/ORANGE  
**84513002** SAIL KIT CHARTREUSE/SILVER  
**84515002** SAIL KIT AQUA/CHARTREUSE

**84516002** i-SAIL KIT WHITE/PAPAYA  
(Not available for i11s)



## HOBIE GLOVES

Protect your hands while increasing your grip strength. Gloves add grip strength on lines which can ease up on the amount of force you need to exert. Available in small, medium, large & extra-large. (xx = size)  
**3188xx** HOBIE GLOVE



## AIR-FLOW TELS

Trim your sails for optimum performance. Attached air flow over sails is critical. Air flow directions are indicated by these tell tails. Made of light weight rip stop nylon (Red / Green). Attaches to sails with waterproof adhesive disks.

**334** SET OF 14

## SAIL KIT SPARE PARTS

**84503** REPLACEMENT 2-PIECE MAST  
**79052251** REPLACE 4-PIECE (i-SERIES) MAST  
**84511** REPLACEMENT SAIL BATTEN W/CAP  
**84509001** REPLACEMENT BATTEN CAP  
**RH112WHT** BATTEN TIE LINE (PER FOOT)



## ROLLER FURLING KIT

This is the ultimate for easy operation of a Hobie Mirage sail kit. Start with the sail rolled around the mast. When you are ready... un-furl to expose the sail or leave a little rolled on the mast to test the wind! By partially unrolling the sail, you are "reefing" some of the sail for better control and stability. If you are ready for full power... roll it all out! Heading back to the beach? Roll the sail up tight on the mast and beach or dock the kayak with ease. Fits any Hobie Mirage sail kit (not for i-Series kayaks due to their stayed rig). The rolled sail will fit in current full-length sail bags. Hardware is easy to install and removal of the sail and control lines is simple for storage.

**84517001** ROLLER FURLING KIT

## LARGE TWIST AND STOW "SAILING" RUDDERS



**81397001**

**81397101** for use on i-Series, Quest



**ADVENTURE / REVO 16 DAGGERBOARD**

## RUDDERS

**81397001** LG RUDDER BLADE  
**81397101** LG RUDDER BLADE/QUEST i-Series

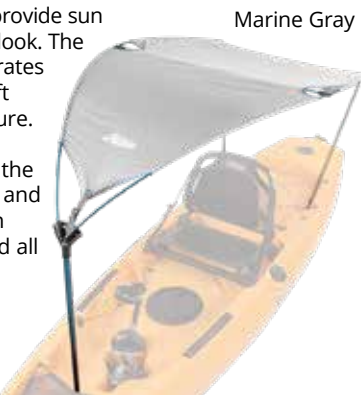
**79502001** DAGGERBOARD

## ! SAILING TIP!

**SAIL POWER:** Watch the sail, pay close attention to the trim or adjustment of the sail. When the front of the sail, just behind the mast, luffs or flutters in the breeze, you lose power. To start moving, pull the sail in just enough to stop the sail from luffing or turn the boat away from the direction the wind is coming from. There are also short ribbons hanging on either side of the sail called "tell tails". The tell tails react to air flowing over the sail and will help you see that the sail is pulled in too tight or too loosely. If you pull the sail too tight you will stall the sail power. The tell tail on the back side of the sail will drop or do circles. Ease the sail out until it luffs, then pull it in just a little until it stops luffing. You will adjust the trim whenever the wind changes direction or you change course.



# BIMINI



Relax all day under the cool shade of our all new kayak Bimini. UPF 50+ fabric and sophisticated articulation feature provide sun and rain protection no matter the time of day. Customize your setup, multiple color options help create your unique look. The Hobie Bimini offers unprecedented comfort and sun relief to let you enjoy and extend your time on the water. Integrates with the Hobie accessory mount base for simple, no-drill installation to get you on the water in no time. The Aircraft grade aluminum mast provides a sturdy and stable base. Over-center, support beam adds extra rigidity and structure. A slight push retracts the beam, quickly collapsing for disassembly on the water should an unexpected squall pass through. Rear hooks easily fasten to pre-installed cargo padeyes and Bungees® for secure attachment and use on the water. **UPF 50+** fabric provides protection from the sun's powerful rays all day long, creating the space for longer and cooler days on the water. **Water-Resistant** Water-resistant coating guards against unexpected showers or ocean spray keeping you safe and dry from the elements. **Durable** The Hobie Bimini is designed to effectively withstand all of the action from your water adventures. The lightweight ripstop nylon is rugged and durable.

For detailed information, more images and setup video: [hobie.com/accessories/bimini](http://hobie.com/accessories/bimini)

- 72020520 HOBIE BIMINI POSEIDON BLUE
- 72020521 HOBIE BIMINI MARINE GRAY
- 72020522 HOBIE BIMINI SUN YELLOW

## SIDEKICK AMA KIT

Great added stability for use when sailing, fishing, standing when sight fishing, diving or shooting photos! SideKick ama kit is simple, light weight and effective! Floats are inflatable.

The SideKick's cross arms adjust the float height with a simple "click-twist-click". Just like a paddle shaft adjustment. Three positions offer you high - medium - low positions. Set the floats high for cruising (less drag) or secondary stability. Use the medium or low settings for primary stability (less initial roll). Fine adjustments for float height are done by twisting the main crossbar within its mounts and tensioning with the fastening hardware.

Set up and use right off the beach or disassemble and deflate to store inside the hull. Then assemble and inflate when you get to your dive or fishing spot. Inflation is simple. Just blow a few breaths into each float through their one-way valves. Valve cap unscrews for rapid deflation. Installs with 4 bolts using expanding nuts. Not for use on Pro Angler models.

- 72062101 SIDEKICK AMA COMPLETE KIT - Light Gray
- 72063101 SIDEKICK AMA COMPLETE KIT - Dark Green

72062061 SIDEKICK +07 ADVENTURE MOUNTING ADAP PLATE SET  
(Adapts Island crossbar attachment point to SideKick mount spacing)

72062062 SIDEKICK - MOUNT KIT W/CENTER BAR  
(For second hull installation. Crossbar and mount hardware only)



# DODGER



## HOBIE DODGER

The Hobie Dodger is a spray, cool breeze and sun shade for your lower body. Deflect bow spray, block cool breezes and stay warmer in cold conditions.

Works like a small pop-up tent. Loops of bungee connect to the boat via small fittings installed along the rails. The entire dodger folds forward to enter or exit the kayak, to make pedal adjustments or reach items in the cockpit. An access panel is built-in for using the sailing rig. A great combination when there is wind and spray!

**Great for hunters, animal and bird watchers as the Dodger conceals your legs movement.** The Hobie Dodger makes your kayak a sit-inside sit-on-top!

Installs in minutes initially, but installs in moments once the fasteners are in place. Packs away into a small stow bag 5" round by 24" long (1.8 lbs).

Mirage Dodger Fits the Hobie Mirage Outback, Sport, Adventure and Revolution, Island kayaks (May fit other models with some modification to hardware placement). Includes an opening for a sail kit or Bimini mast. Island versions include a larger opening for the Island mast.

- HOBIE MIRAGE DODGER**
- 72721001 DODGER SILVER
- 72722001 DODGER RED

- HOBIE ISLAND DODGER**
- 72730002 ISLAND DODGER SILVER
- 72730004 ISLAND DODGER RED

Tandem Island: Island Dodger forward / Mirage Dodger aft



**HOBIE ISLAND SPINNAKER/REACHER KIT**

Add performance when reaching or running to your Hobie Island. Off-the-wind sailing is typically the slowest point of sail, add a spinnaker and the Island comes alive! The Hobie spinnaker kit includes a snuffer launching and retrieving bag which makes handling the spinnaker as easy as can be. Simply pull on the halyard line to launch, set the sheet and off you go! To lower, ease off the halyard and pull on the retrieval line. The spinnaker drops and stows directly into the snuffer system. The kit includes a mast head wind direction vane for use while rigged for the spinnaker. The mast head wind direction vane will help you keep the Island on course for spinnaker sailing. Spinnakers are for broad reaching across the wind to directly sailing down wind. They are not for sailing higher angles than a reach across the wind. \*May require sail head modification by a sailmaker in older model Islands. Requires several inches of mast above sail head to fit into mast head fitting.

**Note:** Spinnaker sailing can be challenging and may not be for the novice sailor. We strongly suggest learning to sail your spinnaker in light winds. Once you learn how to handle a spinnaker... You are going to LOVE IT! Spinnakers add a whole new dimension to your sailing experience.

- 72020350 SPINNAKER KIT ADVENTURE ISLAND (57 sq ft / 5.30 m2)
- 72020351 SPINNAKER KIT TANDEM ISLAND (73 sq ft / 6.78 m2)
- 72020358 WIND VANE REPLACEMENT (WIRE AND VANE)



**HOBIE ISLAND MAST HEAD WIND DIRECTION VANE**

The mast head wind vane will help you keep your Island on the best angle to the wind for better sailing. Helps you understand shifts in wind direction so you can adjust course or sail settings. Achieve the most performance and optimal course. Up on the mast head is the least disturbed wind flow, so the optimal location for a wind direction vane. As you sail, wind directions are not typically constant. As the wind changes direction or oscillates, you need to adjust heading and or sail trim for best performance. Use the vane for rough adjustments and the wind tell tails on the sail for fine adjustments. This wind vane is designed for all Hobie Islands when not using a spinnaker kit. Simply slips over the mast head and tightens in place with a thumb screw.

72020356 MAST HEAD VANE



**HOBIE MIRAGE ISLAND TRAMPOLINES**

Added space for carrying gear, allows you to move weight outboard for better performance in windy conditions, comfortable sitting or laying down position, carry additional crew / kids / pets (does not increase basic weight capacity), reduce spray in cockpit. The trampolines are made from mesh vinyl as used on our catamaran product. Available in Gray or Black. Easy installation. Fast (side-release) buckles across aft aka make folding akas quick. Adjustable webbing straps for a tight fit. Rolls down and straps to forward aka for storage or easily slips off the aka. Paddle storage, gear pockets and lanyard grommets included. (200 Lb Capacity)

- 88527001 TRAMP SET AI / TI\* - BLACK
- 88527011 TRAMP SET AI / TI\* - GRAY
- \*Fits all TI and 2015+ AI (54 3/4" Length)

- 79527001 TRAMP SET 2014-OLDER AI - BLACK
- 79527011 TRAMP SET 2014-OLDER AI - GRAY
- Fits older AI (57 1/4" Length)

- HALF TRAMPS AND PARTS**
- 88527201 TRAMP LEFT SIDE AI / TI\* - BLACK
- 88527301 TRAMP RIGHT SIDE AI / TI\* - BLACK
- 79527101 LACING ROD
- 79527201 WEB/BUCKLE ASSY
- 91050020 SEW ON HOOK BLK



**ISLAND HIKING STICK**

Extend your reach to your steering. Allows you to move your weight (hiking) outboard onto tramps or hakas for better stability, speed and comfort. Fits 2011+ Mirage model steering handles and all Tandem Islands. 72020063 HIKING STICK - AI/TI



OUTBACK



3 PACK

**HOBIE GEAR BUCKET**

Add a drop-in "tackle box" to your 8" Hobie Twist and Seal hatch. The Gear Bucket containers are 2 1/2" deep and hang on the hatch lip or can be slipped down into the hull so you can carry several. Keep one on the hatch lip for easy access. Easily size-adjustable storage segments. Get the three pack with handy storage bag and pre-pack your fishing tackle for fishing different species.

- 71704001 HOBIE GEAR BUCKET
- 71706001 3 PACK WITH BAG (8" Hobie Gear Bucket)
- 71705001 BAG FOR 3 HOBIE GEAR BUCKETS



**VANTAGE SEAT ACCESSORY BAG**

The Vantage Seat Accessory Bag is the perfect addition to your MirageDrive® kayak. Ideal for storing extra tackle, keys and wallet, lunch, a foul weather jacket, birding glasses, safety gear and more.

**Vantage Seat Accessory Bag Features:**

- 4 easy Velcro straps for attachment to the Vantage seat back
- Water resistant construction for keeping things dry
- Key tether with YKK snap swivel for extra security
- Interior zipper pouch for organizing smaller items
- Drainage hole in the bottom of the bag to rid water and allow the interior of the bag to dry completely
- Clear visibility window in the top of the bag so you know exactly what you're reaching for
- Dimensions: approx. 8" Tall x 8" Wide x 3" Deep

72020117 VANTAGE SEAT ACCESSORY BAG



72020111

72020113

**HOBIE SOFT COOLER/FISH BAG**

Keep your food or catch cold all day, even in very hot conditions. High quality construction includes half-inch closed cell foam that insulates, vinyl coated polyester that's durable and YKK zippers that are strong. Has handles for carrying and d-rings on the sides for attaching to the kayak.

**Large size Bag** is approximately 70 qt. The top has an adjustable bungee cord for storing additional gear. Dimensions: 36 inches long, 8 inches tall, bag tapers from 10 inches wide in the front to 20 inches wide in the back. **Medium size Bag** is approximately 26 qt. Easy access zipper on top and drain plug on bottom. Fits inside front hatch of many Hobie kayaks. Dimensions: 24 inches long, 7 inches tall, bag tapers from 7 inches wide in the front to 16 inches wide in the back. **Compass Bag** is made specifically to fit the bow recess of the Mirage Compass.

- 72020114 SOFT COOLER / FISH BAG - COMPASS
- 72020113 SOFT COOLER / FISH BAG - MEDIUM
- 72020111 SOFT COOLER / FISH BAG - LARGE
- 72020118 SOFT COOLER / FISH BAG - XL

**PA BUCKET/ALL CARGO COOLER**

This cooler is designed to fit within a Pro Angler forward hatch liner. It will also fit nicely in all other Mirage aft cargo areas. Bring along your favorite cool beverages and foods or use as a catch bag. Includes several mesh pockets, shoulder strap, carry handles, tiedown rings.



72020087 COOLER - PA BUCKET / ALL CARGO

**HOBIE SMALL ROLL TOP DRY BAG**

8" diameter x 14". This dry bag is built of tough materials. Seals tight to keep your stuff dry.



71703001 8" HOBIE DRY BAG

**VIEW DRY BAG**

Transparent 13 oz. vinyl bags make quick work of locating things. Its cylindrical shape will hold various shapes such as clothing, cameras, binoculars, lunches, etc. without distortion of bag and resultant potential leakage. Air purge vent.



72210L VIEW VENTED (10L)

72230L VIEW VENTED (30L)

REVOLUTION



**HOBIE HATCH LINERS**

For Hobie Mirage Outback, Revolution and Quest. The forward hatch liner is a space to store gear or fish just inside the forward hatch lid. Keeps items from sliding forward or back inside the hull and keeps them up off the bilge. Now available for the Hobie Outback, Revolution 11 / 13 and Quest 11 / 13 (2014+).

**HOBIE HATCH LINERS**

- 72020041 OUTBACK <=2018
- 72020109 OUTBACK 2019+
- 72020042 REVOLUTION 13 / 2014+ QUEST 13
- 72020044 REVOLUTION 11 / QUEST 11

**PLANO TACKLE BOX**

**TACKLE BOX SMALL - 10** adjustable dividers create 5-15 compartments. Clear/Yellow 9.13" x 5" x 1.25"



72020311 TACKLE BOX SMALL

**TACKLE BOX MEDIUM - 15** adjustable dividers create 5-20 compartments.

Clear/Blue 11" x 7.25" x 1.75"

72020321 TACKLE BOX MEDIUM

**TACKLE BOX LARGE - 25** dividers create 3-28 compartments. Perfect box for extra long bulk storage. Clear/Red 14" x 9.13" x 2"

72020331 TACKLE BOX LARGE



**HOBIE GEAR BUCKET - DEEP**

Add a drop-in "storage box" to your 8" Hobie Twist and Seal hatch. 5" deep bucket without dividers.

*Note: Does not fit Pro Angler Aft Hatch*

71704021 HOBIE GEAR BUCKET - DEEP



**HOBIE TWIST AND SEAL HATCHES**

Lids hinge open, so you never lose the lid. A simple twist of the handle opens or closes the hatch. The hatch does not have to be held down against a flat surface to seal. This allows the hatch to seal even if the lid is partially open or tipped. Available in 6" and 8" diameters. \* Kits include gaskets and screws (8031131).

- 71701001 6" TWIST AND SEAL KIT \*
- 71701011 6" TWIST AND SEAL HATCH
- 71321001 6" MOUNT GASKET
- 71701021 6" TWIST AND SEAL O RING

- 71702001 8" TWIST AND SEAL KIT \*
- 71702011 8" TWIST AND SEAL HATCH
- 71331001 8" MOUNT GASKET
- 71702021 8" TWIST AND SEAL O RING



**HOBIE RECTANGULAR TWIST AND SEAL HATCH KIT**

The Horizontal hatch is stiff and strong as designed for standing-on. Unique Hobie designed seal and flange lip drainage keeps water out. Add the optional tackle management tray that deploys two tackle boxes as you open the hatch or the drop-in hatch bucket for versatile small parts storage (both shown below). Includes backing ring. The kit includes the Hatch, gasket, backing ring, screws and instructions.

71707003 HOBIE RECTANGULAR HATCH KIT



**HOBIE RECTANGULAR HATCH ACCESSORIES**

Add a drop-in "storage box" to your Hobie rectangular hatch or tackle management tray that deploys two tackle boxes as you open the hatch.

- 71709002 HOBIE RECTANGULAR BUCKET
- 71708001 HOBIE TACKLE MANAGEMENT

Some hatch locations may not allow bucket use due to hull depth



**GUSSETED STOW BAG**

6" by 12" gusseted bag has hooks on both ends to clip to your boat. Also available in 8" x 15" size. Securely stow tools, gloves or small parts for easy access.

- 72000B 6"x12" GUSSETED STOW BAG
- 72005B 8"x15" GUSSETED STOW BAG





# CARTS

Kayak Carts or Dollies are a must for easily transporting your kayak from car to water's edge. Simply roll the kayak down to the water and off you go! All of the latest Hobie Kayaks can use "Plug-in" carts. "Plug-in" carts do just that...they plug right into the bottom of your kayak. Choose Standard for light duty and solid surfaces, Heavy Duty for heavy loads and rough terrain or the "all-terrain" Hobie Trax "2" version which is the best over soft sand. Each cart has a sturdy stainless steel frame. Some older models, i-series or other brands of kayaks may require the use of a different type of cart.

## KAYAK CART "PLUG-IN" STANDARD

Light weight with durable 26 cm tires and strong spoked wheels. Stainless steel frame. Wheels are easily removable for storage. Also includes cart keeper feature and cart clamps. This cart has the medium capacity. (150 lb Capacity). Great for transport over solid surfaces.

**80045001** STANDARD CART  
\*Note Tandem Island use issue

## KAYAK CART - "PLUG-IN" HEAVY DUTY

Highest capacity cart with very durable knobby (Solid Foam) 26 cm wheels. Welded Stainless steel frame. Wheels are easily removable for storage. Also includes cart keeper feature and cart clamps. This cart has the highest capacity. (225 lb Capacity) Suitable for Pro Angler and Tandem Island. Best for transport over solid surfaces.

**80046001** HEAVY DUTY CART  
\*Note Tandem Island use issue



## KAYAK CART "PLUG-IN" HOBIE TRAX "2"

The Trax "2" Cart has 24 cm (blow-molded polyurethane) pneumatic tires. These tires have a high capacity and are very durable! Welded Stainless steel frame. Wheels are easily removable for storage. (176 lb Capacity) This is an all around cart for soft sand and uneven terrain. The tires are wide and can be deflated for better performance over softer sand and soil.

**80044101** TRAX "2" CART  
\*Note Tandem Island use issue

## KAYAK CART "PLUG-IN" HOBIE TRAX "2-30"

All of the great features of a Trax 2 cart with **higher capacity!** The Trax "2-30" cart has 30 cm tires, bringing the capacity up to 242 lbs. Even with a lighter load, the Trax 2-30 will be the best plug-in cart for sand.

**80043001** TRAX "2-30" CART  
\*Note Tandem Island use issue

**80044202** CRADLE / PLUG-IN CART  
**80046021** PIN, QUICK CLIP  
Wheel retainer pin replacement kit.



## KAYAK CART "PLUG-IN" FOLD AND STOW

All new Plug-In Cart! Hobie Fold and Stow! Easily assemble for use or disassemble (<30 seconds) and stow on / in your boat. Disassembled parts fit inside most kayak hulls that have larger hatches. Stow bag included. New cart keeper feature is simple to use. Rotate the ball to the side to lock the cart in place. Pull on the cart to disengage and the ball pops back on top of the post. Aluminum frame (175 lb Capacity) No tools required. **80047001** CART FOLD AND STOW  
\*Note Tandem Island use issue



- Quick release wheels
- Collapsible frame
- Stows in most hulls
- Ball lock cart retainer
- Carrying bag included



**CART KEEPER FEATURE** (Pin replacement 80044151)  
Standard on Hobie Plug-in carts shown to the left (Not this version on Fold and Stow Cart!) After insertion of the cart, pull the dome pin out and re-insert as shown to keep the cart captive.

**POST COLLAR / CLAMP FEATURE** (80044201 Set Of 2)  
Collar clamps help reduce the direct loading of the cart on your kayak's bottom / keel. Direct loads on hull bottoms can cause deformation of the kayak. Even loading at scuppers and hull bottom reduces hull-bottom deformation issues. Included with all new plug-in carts.

## CAUTIONS

Be certain that the cart inserts clear through the kayak and protrudes into the cockpit / cargo area surface. Kayaks should never be left on carts for prolonged periods of time.

\*Note Tandem Island use issue. Plug in carts are not recommended for the Tandem Island due to weight. Using a plug in cart can damage the scuppers or deck area in the hull.



## ECLIPSE CARTS



## KAYAK CART C-TUG

Carries up to 80kg (170lbs), dismantles for easy stowing, won't rust. Requires no tools and assembles in seconds. Dismantles in seconds, allowing you to stow it in your kayak hatch. Made of non-corroding engineering polymers, with stainless steel reinforced axles, this cart is designed for harder terrains.

**80047201** C-TUG CART

## KAYAK CARTS FOR I-SERIES KAYAKS AND ECLIPSE

Plugs into the bottom of the Eclipse or inflatable series kayak's MirageDrive well. Stainless steel frame. Wheels are easily removable for storage. Standard is Light weight with durable 26 cm tires and strong spoked wheels. This cart has the medium capacity. (150 lb Capacity). Great for transport over solid surfaces. Trax is designed for soft surfaces such as sand or pebbles.



**80045101** i/E STANDARD CART  
Fits Eclipse and i-Series Kayaks (150 lb Capacity).



**80045201** i/E TRAX CART  
Fits Eclipse and i-Series Kayaks Pneumatic tires are great for soft sand and rough surfaces. (176 lb Capacity)

### HOBIE KAYAK DOLLIES

Full size dollies for the Adventure / Tandem Island or Pro Angler / Universal includes a hull / ama cradle, and a pull handle. Much stronger and easier to load and use than plug-in carts for larger, heavier models. Two different wheel styles allow for optimum performance on hard pack surfaces – or soft sand beaches. Choose beach wheels for use over soft sand or other surfaces. Choose the tuff tire if your launch surfaces are solid. The handle makes it easier to insert or remove the cart under the boat or pull along when un-loaded. The handle also acts as a “kick-stand” to keep the cradle upright during loading. The handle and wheels are easily removable for storage. The Pro Angler / Universal dolly will fit a wide variety of Hobie Kayaks including Pro Anglers, Outback and Oasis. Recommended maximum load equal to one Tandem Island without excess personal gear.



**80046200** AI/TI DOLLY DOLLY W/ 42 cm BEACH WHEELS

- 80046200** AI/TI DOLLY - WITH BEACH WHEELS
- 80046201** PA/UNI - WITH BEACH WHEELS
- 80046202** PA17 - WITH BEACH WHEELS

(72061001 Replacement wheel retainer pin)



**80046100** AI/TI DOLLY W/ 38 cm TUFF TIRES

- 80046100** AI/TI DOLLY - WITH TUFF TIRES
- 80046101** PA/UNI - WITH TUFF TIRES
- 80046102** PA17 - WITH TUFF TIRES

(72061001 Replacement wheel retainer pin)

### LOADING



1. The handle helps you get the cart down to the boat. Handle is also easily removable for cart storage.
2. Lift the bow and slide the cart under.
3. Leave the handle in place while moving the boat.
4. Adjustable strap included to secure the boat onto the cart.



### ! WARNINGS

**Cart and Dolly:** Do not over-load. Not for towing or for speeds faster than average walking pace. Not for long hauls or stairs. Check cart fit carefully to be sure tires do not rub hull, on scupper versions that the posts fit clear through to the cockpit. Heavier model kayaks may require sleeves below cart clamps to keep hulls from contacting wheels. Not for prolonged use / storage. Incorrect use can damage or distort hulls.



**38652202 TRAILER - PA17T**  
Shown with optional cradles, dolly and dolly hanger kit installed

### KAYAK TRAILERS

Trailers ride on 8" wheels and use a 1 7/8" coupler. Trailex trailers are certified to USA DOT standards for use on USA roads.

Carry one or more kayaks inverted on the crossbars (crossbar padding / cradles shown are not included with trailers). For the Adventure Island, Tandem Island or Pro Angler, add the custom designed hull cradle sets (Adventure Island V1 cradles shown to right on double trailer). These are form fitted and padding covered. For two Adventure Islands, order the double trailer (Double-Double for two Tandem Islands) add two cradle sets. The optional center Tower System adds storage possibilities. The Tower includes mast / sail hangers and is also designed to mount an equipment box on top. Easily mount the Hobie Toy Box on top of the Tower.

**38652010** TRAILER - SINGLE AI / PRO A 12,14  
Shown right. Order cradles separately.  
(Crossbars 42" / 15' 2" assembled length / 220 lb Capacity).

**38652011** TRAILER - SINGLE TI  
Order cradles separately.  
(52" Crossbars / 15' 6" assembled length / 350 lb Capacity).

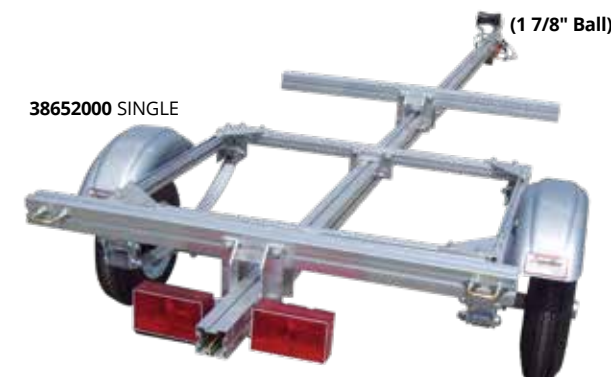
**38652200** TRAILER - DOUBLE  
Shown above (Right) with AI and cradle set option and (#38652210) tower system.  
(84" Crossbars / 16' 1" assembled length / 550 lb Capacity). Order cradles separately.

**38652201** TRAILER - DOUBLE / DOUBLE  
Not shown. Required to carry 2 Tandem Islands or one TI and AI side-by-side.  
(96" Crossbars / 16' 1" assembled length / 550 lb Capacity). Order cradles separately.

**38652212** TRAILER - PA17T  
Order cradles (72020404) and optional Dolly Hanger Kit (72020405) separately.

**38652210** TOWER  
Add the optional tower for equipment box mounting on a double trailer, multi kayak transport (Up to 4 kayaks leaned against tower). Also includes two mast carriers for 2x AI/TI configuration.

*Trailer prices DO NOT include freight to dealer or assembly costs.*



**38652000** SINGLE (1 7/8" Ball)



**38652200** DOUBLE

\*Trailer shown with Adventure Island cradles option

NOTE: Loads may require a red warning flag if over hanging lights by over 4 feet.

### CRADLES



**72020406** AI V2 CRADLES



**72020402** TI CRADLES



**72020401** PRO A 12/14 CRADLES

\* Refer to cradle instructions for proper spacing or 67" on all others

- 72020401** CRADLE SET (1 boat) - PRO ANGLER 12 / 14
- 72020404** CRADLE SET (1 boat) - PRO ANGLER 17
- 72020428** CRADLE SET (1 boat) - COMPASS & DUO
- 72020407** CRADLE SET (1 boat) - OUTBACK <=2018
- 72020427** CRADLE SET (1 boat) - OUTBACK 2019+
- 72020406** CRADLE SET (1 boat) - ADVENTURE ISLAND 2015
- 72020400** CRADLE SET (1 boat) - ADVENTURE ISLAND V2 (2011-2014 MODEL YR)
- 72020402** CRADLE SET (1 boat) - TANDEM ISLAND (No fasteners included)



**STORAGE BOX "TOY BOX"**

Roto-molded seamless. Big enough to hold paddles, MirageDrives, Seat backs, Life Vests and wet wear and have room left for odds and ends. The bottom is ribbed to allow wet things to drain. There is full access from front and back. Mounting hardware is not included. Length 10' 4", Width (rear) 21", Depth (rear) 13", Width (front) 19 1/2", Depth (front) 10", Weight 55 lb.

1825WHT TOY BOX

Prices DO NOT include freight to dealer. Additional freight charges may apply.



**ROOF RACK PAD**

Beefy car roof rack pads, made from durable black polyester with Hobie logo. Easy-on split bottom with Velcro™ closure.

72045 24" ROOF RACK PAD (Pair)

72046 36" ROOF RACK PAD (Pair)

72044 24" AERO RACK PAD (Pair)

72049 36" AERO RACK PAD (Pair)



**HOBIE TIE DOWN STRAPS**

Rack tie-down straps, made of durable black polypropylene webbing. Diagonal cut and ironed ends make threading ends into buckles easier.

72042001 TIE DOWNS 12' (Pair)

72043001 TIE DOWNS 15' (Pair)



**QUICK STRAP SPORTRACK**

Easily installs on any vehicle with front and rear doors or opening windows. The straps secure inside the car, no gutter hooks are required. Packed in mesh storage bag (#72040 with bow and stern tie downs).

72040 QUICK STRAP SPORTRACK (30" Pair)

72035 QUICK STRAP SPORTRACK (24" Pair / No Lines)



MK0046 HOBIE CAUTION FLAG



**COMPASS LOADER**

**COMPASS LOADER**

Molded to fit snugly on the transom of the Hobie Mirage Compass and Compass DUO. The Compass loader is a load-assist tool. It incorporates rubber skids and handles to make car top loading of the kayak easier and helps prevent damage to the kayak during loading.

View the Compass Loader video by scanning the QR code to the right. Most smartphones will direct you to a linked file by simply focusing the phone's camera on the QR Code. You can also Google "Hobie Compass Loader Video"

81711000 COMPASS LOADER



Compass Loader Video

**RHINO LOADING ACCESSORIES**

Load a kayak on to your vehicle without having to lift the full weight. Perfect for loading up solo or for car topping heavier boats.



**UNIVERSAL SIDE LOADER**

The Rhino-Rack Universal Side Loader assists you in loading your kayak, ladder, camping gear or other longer heavy items, onto your roof rack crossbars. Simply lift one end of your load onto the Rhino Universal Side Loader, then pivot your load onto your crossbars.

Be sure to tie down your load once it is safely on the crossbars using load rated fastening straps.

**FEATURES INCLUDE:**

Push button for quick release and easy storage; Crossbar clamps to suit all popular roof racks; Heavy duty storage bag; Support pole for loads greater than 44lbs (up to 132lbs); Integrated load stop prevents load from sliding off bar; foam padding for protection of your gear; Padding on the underside of clamps to protect vehicle roof; Fits all Rhino Aero, HD/Euro, all Thule Square, Aero bar & Wingbar, Rola, Prorack and Whispbar

72040011 RHINO UNIVERSAL SIDE LOADER

**NAUTIC KAYAK LIFTER**

Is a complete system for easily loading and unloading sit on top kayaks. 80kg (176 lb) load capacity, does not require any heavy lifting and a single person can operate it using the included winch.

The unit is designed to be neatly stored on the roof of your vehicle beside your kayak when not in operation.

*Important Note: Designed to fit Rhino roof rack systems with bar overhang with at least 100mm. Contact Rhino for other rack Mfg compatibility.*

72040012 RHINO NAUTIC KAYAK LIFTER

**T-LOAD HITCH MOUNT**

The Rhino-Rack T-Load Mount is the perfect load carrying solution for long loads. Built tough from E coated Steel, the T-Load allows you to effortlessly load and transport your kayak. Mounting to a 2" hitch receiver the T-Load features an adjustable tilt position.

A fitting kit is provided to attach your Rhino-Rack crossbars directly to the top of the T-Load and because we're top blokes we've also thrown in a non-slip mat to stop slippage when loading.

**FEATURES INCLUDE:**

Single person use; Adjustable height & tilt position; Minimum height 950mm; Maximum height 1540mm; 1 x Rhino-Rack Aero crossbar; Rhino-Rack crossbar fitting; 1 x RTLK (Rhino-Rack T-Load Sling Kit); Non slip mat; 3 year warranty

72040013 RHINO 2" RECEIVER T-LOADER





## KAYAK COVERS

Easy to install or remove, fits over the hull (like a fitted sheet on a mattress). Straps and pull string adjust for a tighter fit. Cross straps secure the cover on your hull for windy conditions. Heavy duty UV resistant canvas material in a neutral color for better aging. Universal covers fit over the hull when upright or upside down. To help prevent distortions to the hull bottom shape, Hobie recommends that our kayak hulls be stored upside down resting on the cockpit rails. This is also best for deflecting rainwater and prevents water pooling in the cockpit or on the cover. When planning to store a hull upright, be sure to properly support the hull bottom to prevent hull distortions. Universal fit covers may not entirely cover some hulls, especially with accessories installed.



DRAW STRING



CINCH STRAPS



### UNIVERSAL FIT COVERS:

**72050** Kayak Cover / 9'-12' 6" x 49"  
(Lanai, Maui, Sport, Revolution 11, Compass, Outback <=2018, Kona-Tight, Quest 11)

**72051** Kayak Cover / 12'-15' x 49"  
(Kona [Loose], Pursuit, Mirage Classic, Tandem, Oasis, Outfitter, Quest 13, All Outback, Revolution 13)

**72052** Kayak Cover / 14'-16' x 55"  
(Adventure, Revolution 16, Tandem, Oasis, Odyssey)

### OUTBACK 19+ CUSTOM FIT COVER:

**72063** Kayak Cover Outback 19+ Custom



## MIRAGEDRIVE STOW BAG

This heavy duty Cordura and mesh bag fits the complete MirageDrive with standard fins or the ST Turbo length. There is extra space in the bag for things like a life vest or drive well plug. Also includes "D" ring fittings to allow attachment to Inflatable rolling bags. Large enough to store your Inflatable's drive, pump and 4 piece paddle.

**80024** MIRAGEDRIVE BAG



72055 Kayak Cover PA14 Custom

72056 Kayak Cover PA12 Custom

### PRO ANGLER CUSTOM FIT COVERS:

**72056** Kayak Cover PA12 Custom

**72055** Kayak Cover PA14 Custom

**72057** Kayak Cover PA17 Custom

### ISLAND CUSTOM FIT COVERS:

**72058** Kayak Cover AI Custom 2015+

**72059** Kayak Cover TI Custom 2015+

## RUDDER COVER ISLAND / TI

Rudder protection for 2011+' AI and all Tandem Island Rudders.

**82420001** RUDDER COVER ISLAND / TI



## MULTI STRAP SYSTEM

Hang your kayak for storage, use as bow and stern lines or use them as carrying handles. Multi purpose straps can be attached to the boat and adjusted for many uses. Made from durable black polypropylene webbing.

**72041** MULTI STRAP (Pair)



## ECLIPSE BOARD BAG

These heavy duty padded travel bags fit the ECLIPSE 10.5 or 12.0. There is extra space in the bag for the handlebar assembly.

**72050002** ECLIPSE 10.5 BAG

**72050001** ECLIPSE 12.0 BAG



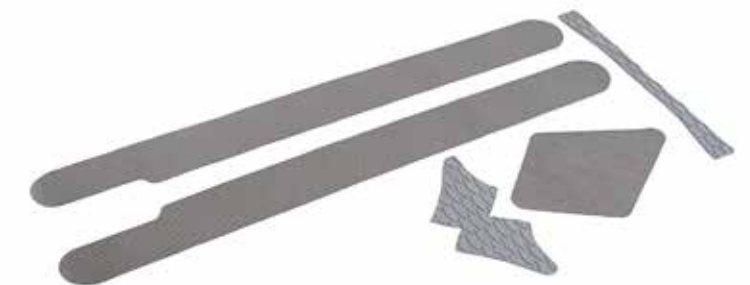
Cart Access Slots. Use the plug-in Cart while the board is covered.



## HOBIE ECLIPSE MIRAGEDRIVE STOW BAG

This heavy duty Cordura and mesh bag fits the complete MirageDrive with Flow Fins. There is extra space in the bag for things like a life vest or drive well plug.

**72050011** ECLIPSE MIRAGEDRIVE BAG



## HOBIE NOSE-RAIL PROTECTION KIT

Protect your Eclipse nose, rails and deck surfaces with EVA stick-on coverings. Kit includes sections to protect nose, rails and decks. Protects from scuffs and scratches.

**72050013** NOSE-RAIL GUARD KIT

## ONE WRAP VELCRO®

Cut this double faced Velcro® product to length and wrap it around items, line or whatever you need to secure. One side is hook and the other a loop, so a single piece is all you need.

**7904** ONE WRAP, PER FOOT



## SHOCKCORD BALL TIES

Lashing equipment to your boat is quick and easy with this handy tie-down. Dozens of uses.

**370** SHOCK CORD BALL TIES EA



## HOBIE ECLIPSE PROTECTION KIT

Protect your Eclipse rails and surfaces with clear plastic stick-on coverings. Kit includes sections to protect rails and decks. Protects from scuffs and scratches.

**72050005** RAIL PROTECTION KIT

**HOBIE evolve POWERED BY TORQEEDO**

This quiet and efficient electric motor will dramatically expand your horizons. With the Hobie evolve, you can either maintain steady cruising speeds of two knots (motor only) for hours, or you can open the throttle for short sprints. Best yet, depending on your set-up, you can use the evolve to augment your boat speed while also using your MirageDrive. And thanks to its cockpit-mounted Remote Throttle, you always know how much juice you have left in the system's 320 Wh Lithium-Manganese battery. Runtime estimated as 8 hr 20 min at 2.6 mph / 48 min full throttle.

The evolve offers increased battery capacity, longer range and solar charge / run capability. Includes well mounted drive for all Mirage Kayaks and optional Twist and Stow rudder attachment for (most) non-inflatable models.

**72022030** HOBIE evolve v2 MOTOR KIT - Kayak  
**72022040** HOBIE evolve v2 MOTOR KIT - i Series

**KIT INCLUDES:**

Ready-to-go Mirage well-mounted Hobie evolve v2; All cables for the motor and throttle units; All mounting hardware; Assembly that integrates the motor with a Twist and Stow rudder\*; Sealed/Waterproof Lithium-Manganese high-performance battery; 320 Wh (charger included); Remote throttle system displays speed and distance information generated by an onboard GPS unit; Magnetic safety key; Waterproof fittings and cable connectors; Solar charging port; Corrosion-resistant materials ensure durability and performance; Lightweight power: Total weight of installed kit is 18 lbs (8.16 kg) or less, depending on the configuration.

**72022032** evolve MOTOR KIT - Kayak / NO Battery

**SPARE BATTERIES**

**72022126** V2 BATTERY 320 wh  
**72022141** BATTERY 915 wh (Large Case)

**LITHIUM BATTERY V2**

6.6-pound, 320 Wh Lithium-Manganese battery (11Ah at 29.6V) The battery is buoyant and completely waterproof. Its built-in GPS unit generates pertinent information such as speed and range. Solar charge / run port.



**REMOTE THROTTLE**

Remote Throttle, which attaches to a RAM mounting unit (included) to provide throttle control from your favorite seating position. The LCD screen displays all the trip info you need (such as speed and range) while you're underway. For safety, the unit features a magnetic key-to-throttle connection; break this magnetic connection and the motor immediately stops.

**SOLAR PANEL**

Add a solar charging panel to your evolve v2 system. Can charge the battery or run the motor indefinitely at approximately 2 knots (with optimum sun conditions). Solar panel uses dedicated plug-in on the v2 battery. 23 Watts of power for charging in best sun conditions, Weatherproof, Marine-grade connection, Ultra Light Weight, Ultra Thin, Ultra Durable, Roll for easy storage, Easy to use, Tested in salt water, Stainless Steel Grommets, Stainless Steel Rivets, Custom Built for Hobie Cat, Made in the USA.

**Size Unrolled:** 35.55" x 26.15" / Size Rolled: 26.15" x 6.0" / Cable: 10' / Watts: 23 Watts / Operating Amps: .75 Amps / Operating Volts: 30 Volts / Weight: 1.4 Lbs

**72022133** v2 SOLAR PANEL 23w



**MIRAGE WELL MOUNT**

Mirage-mounted evolve weighs a scant 6.4 pounds—that's 0.2 pounds less than the MirageDrive.

**2 for 1 BOTH MOUNTS INCLUDED**

\*Rudder Mount for all Mirage Series Kayaks with Twist and Stow Rudder Systems. Not Compatible with Inflatable Kayaks, Island Series or Pro Angler



**RUDDER MOUNT**

A lightweight assembly to easily integrate the evolve motor with a Twist and Stow rudder. Pedal and motor; motor, or simply pedal. When off, the engine becomes your rudder or it can be brought on deck via the Twist and Stow controls.

*(The rudder mount option is not compatible with inflatable series, Island series or Pro Anglers)*

*Note: Torqeedo Warranty is handled directly by Torqeedo. Refer to documentation included with these products.*

**TORQ TRAC**

The dashboard for electric motors on your smartphone. Bluetooth accessory plugs in-line on the throttle cable and transmits a variety of great information to a smartphone. The App can be downloaded for free from the App store on your device.

**FEATURES**

Everything easily readable, even at night; Know how far you can still go: remaining range is shown on a map in real time; Uses waypoints for navigation and estimated time of arrival; GPS information; Trip logging and eco logging: see exactly how you're doing; Warning messages in plain language Individually adjustable

**72022010** TORQ TRAC ACCESSORY



**#1 CHOOSE A TROLLING MOTOR...**



*Custom 50" shaft length to best fit your Hobie!*

**72020120**  
 TROLLING MOTOR  
 Xi5  
 50"  
 FRESH  
 12v  
 55FW  
 GPS and Sonar

**MOTORGUIDE® Xi5 TROLLING MOTOR**  
**12V 55FW CUSTOM-HOBIE 50" SHAFT AND PINPOINT GPS**

**72020120** TROLLING MOTOR Xi5 50" FRESH

Anglers can command precise motor and steering control while seated or standing with the wireless remote. Engage the motor's Pinpoint GPS functions, including anchor and jog, route record and playback, heading lock, and cruise control, to optimize kayak/boat control in all angling locations and conditions. A built-in 83/200 kHz transducer is standard with the freshwater model. Motors provide a quiet and smooth ride that will assist anglers in getting to the fish without disturbing them. Requires MotorGuide QR bracket (72020100) and Hobie trolling motor mount (72020090) to mount on the Pro Angler 17T.

**#2 ORDER MOUNTS...**



**HOBIE PA17 TROLLING MOTOR MOUNT**

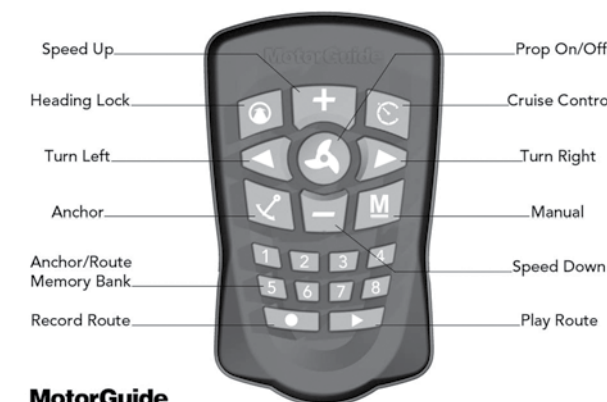
Easily mount a trolling motor to your Pro Angler 17 Tandem using the Hobie trolling motor mount. Designed specifically for the PA17 the mount allows easy removal of the motor for storage. Fits standard width motors. MotorGuide models listed here require a wider mount so add the 72020100 Quick release bracket.  
**72020090** TROLLING MOTOR MOUNT / PA17  
**72020100** MOTORGUIDE QR BRACKET

We chose a 50" shaft specifically for Hobie Pro Angler 17T. See the motor head for directional control when seated while keeping the motor depth optimal. Longer shafts can either catch on over hanging trees or be too deep in the water. Too short and the motor head is not visible over your PA17 crew.

**INCLUDES WIRELESS CONTROL RIGHT OUT OF THE BOX, DURABLE AND RELIABLE, PRECISE STEERING AND CONTROL, AND VERY QUIET ON THE WATER.**

**Key Features:**

- **Anchor Hold**
  - Hold position with a touch of a button, no matter how deep
  - "Jog" in precise increments from an anchor point using directional arrows
  - Save/recall 8 locations
- **Heading Lock**
  - Maintains compass heading navigation
- **Routes**
  - Record/recall 8 routes of up to 4 miles each
  - Virtually unlimited route record/recall when connected to certain Lowrance fishfinders
- **Cruise Control**
  - Maintain a GPS speed while navigating



**MotorGuide**

*Note: MotorGuide Warranty is handled directly by MotorGuide. Refer to documentation included with these products.*

**#3 ORDER WIRING KIT...**

This kit simplifies the installation process of the MotorGuide Xi5 on your Pro Angler 17T, and includes all the marine grade components necessary. The Trolling Motor Wiring Kit allows you to run all your wiring in-hull and facilitates easy removal of the motor for trailering the PA 17T. \*Deep cycle battery not included.



**72021090** WIRING KIT, PA17 TROLLING MOTOR

**#4 ALL THAT IS LEFT IS TO GET A 12V DEEP CYCLE BATTERY FROM A LOCAL SUPPLIER!..**

**PARTS**

**72020123** BATTERY CHARGER 12 / 6 VOLT

**72020124** PROP WEEDLESS 2 BLADE 3.5"

**72020125** PROP NUT / WRENCH / PINS

**72020126** PINPOINT GPS GATEWAY KIT

**72020127** NMEA2000 STARTER KIT

**72020128** 6-PIN LOWRANCE TOUR ADAP



# LIVEWELL

Liven up your day on the water with the Hobie Livewell!

## HOBIE LIVEWELL V2

The newly redesigned Hobie Livewell sports a fresh color scheme, modern lines and more built-in features than ever before. This livewell is plug-and-play with most Hobie kayaks and includes: (1) 6V sealed gel cell battery + charger for powering the pump, an adjustable downspout for filling the tank half way, a corrosion resistant power switch, 3 integrated rod holders, a threaded drain plug, easily removable tank partitions for keeping bait healthy, an 8" Twist and Seal hatch for access and bait concealment, heavy-duty straps for attaching it to the kayak and a carrying handle for easy transport.



Weight: 12.7 lbs / 5.76 kg

6V SEALED GEL CELL BATTERY



### FEATURES

High output pump circulates aerated water to keep bait alive, Battery and Charger included, Sealed Marine Switch for ON/OFF control, Adjustable downspout for water level control and drainage, Holds up to 8 gallons of water, Removable tank partition provides a rounded surface for keeping bait healthy, 3 vertical rod holders included, with pre-marked locations for adding more, 8" Twist and Seal lid for tank access & bait concealment, Carrying handle for easy transport, Heavy Duty straps secure livewell to cargo area, Pump cap for filling the tank with non-circulating water, Threaded drain plug keeps tank interior dry between uses



## HOBIE LIVEWELL XL

Larger capacity, fits all Pro Angler models. 6 gal/22.71 L and 11 gal/41.64 L

72020072 HOBIE LIVEWELL XL BAIT TANK

72020015 ROD HOLDER - LIVEWELL

(Additional rod holders include the required fasteners)

The Livewell XL comes standard with two additional rod holders for a total of four rod holders.



Weight: 15.4 lbs / 6.98 kg

6V SEALED GEL CELL BATTERY



### REMOVABLE TANK PARTITION

The removable tank partition keeps debris and critters from clogging internal pumps and drains or hiding in hard to reach areas. The partition also provides a rounded surface so baitfish stay healthy and happy.

### CORROSION RESISTANT POWER SWITCH

Wire connections are housed inside a magnetic (reed) switch, ensuring maximum durability and corrosion resistance.

**TANK WATER LEVEL CONTROL**  
Adjust the Livewell XL tank water level using the included "C-clip" or drain the tank with the simple twist of a knob.



# H-BAR



## ADJUSTABLE H-BARS

Standing support for Kayaks! The adjustable H-Bar will integrate with all H-Rail accessories for easy customization. It folds up when you need it and away when you don't. The aluminum extrusion is strong and lightweight for leaning against or holding on to while entering/exiting the boat or pulling yourself up from a seated to a standing position. The Outback Universal kit is fully adjustable to fit a wide variety of kayaks. The PA17 requires an adapter kit (extra set of H-Rail clamps and a longer center bar) when used in the middle and aft seat positions.

- Lean against to stabilize
- Pull yourself up from a seated position
- Grab ahold to assist when entering the kayak
- Variable height settings
- Folds out of the way

- 84500116** HOBIE H-BAR PRO ANGLER
- 84500115** PA17 H-RAIL ADAPTER KIT
- 84500117** HOBIE H-BAR COMPASS
- 84500119** HOBIE H-BAR OUTBACK / UNI
- 84500120** HOBIE H-BAR OUTBACK 2019+
- 84500121** HOBIE H-BAR PASSPORT 12

**H-RAIL EXTRUSION**  
Integrates with all H-Rail accessories, like rod holder mounts, for easy customization.

**WEIGHT**  
4.5 lb / 2.04 kg

**INCLUDES**  
Mounts  
Hardware

**ADJUSTABLE**  
Four telescoping legs, along with foot-mount placement, enable a wide range of height settings.



## H-CRATE STORAGE SYSTEMS

- 72020088** HOBIE H-CRATE
- 72020298** HOBIE H-CRATE JR

- Fits on the back of a fishing kayak or SUP
- Keeps tackle, fishing rods and gear organized
- Lightweight & durable
- Can Be Disassembled to Store/Travel Flat

**Weight:** H-Crate 5.8 lbs / 2.63kg  
**Weight:** H-Crate Jr. 5.05 lbs / 2.29kg  
**Includes:** 4 Heavy duty straps (Replacement 72020284)

**ROD HOLDERS**  
Four rod holders with shock cord rod retainers.

**H-RAIL MOUNTING PLATFORM**  
Carrying Handles Provides structural strength and is great for mounting H-Rail accessories.

**STORAGE**  
Keeps your valuables organized in one easy-to-transport bin.



**GRID WALLS**  
Attach additional accessories using the molded hole pattern (72020015 Rod Holders).

H-Crate Jr.  
Uses 4 short walls

## H-CRATE SOFT COVERS

Vinyl cover with a zipper opening. Keeps gear drier and out of UV. Keeps gear in the crate from falling out in a capsized. Tested to extremes... the cover holds in place under heavy load even if inverted or tumbled. Easy to install using provided panel rivets. Double zipper is nylon, not corrosive and functions very smoothly.

- 72020097** SOFT COVER
- 72020297** JR SOFT COVER



## MOUNT ADDITIONAL ROD HOLDERS TO H-CRATE

You can mount many additional rod holders to the grid walls.

- 72020015** ROD HOLDER - LIVEWELL

(Additional rod holders include the required fasteners)



## PADEYE XL

Replace existing smaller padeyes to enable attachment of multiple straps or rod leashes on the same eye.

- 71125001** PADEYE XL



## H-RAIL UPGRADE / ADD-ON KITS

H-Rail is a durable, lightweight, patent pending mounting system for quickly securing a complete line of H-Rail accessories. Easily attach, move or remove mounts and accessories quickly. The 12-Sided rails allow rotation at 30 degree increments and will hold when your H-Rail accessory is clamped in place. Get your FishFinder, Rod Holders, Tackle Buckets and more... right where you want them... then easily slide them out of the way!

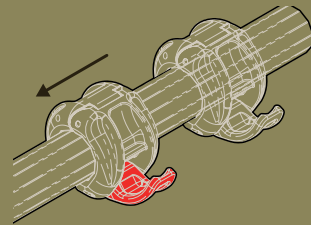
Update older model Pro Angler 12 and 14s to the H-Rail system. Fits 2014 and some 2013 Pro Anglers. Other models may require some modification to steering crank (Note four screws in deck area near left steering handle indicates need for modifications). Kits include everything needed: Rails, mounts, attachment hardware and instructions. Instructional video also online.

- 84626104** OUTBACK H-RAIL UPGRADE KIT
- 84625312** PA 12 H-RAIL UPGRADE KIT
- 84625314** PA 14 H-RAIL UPGRADE KIT

For other kayaks or for just about any application add 9" and 21" straight H-Rails anywhere you like! Kits come with H-Rail tubes, end fittings and attachment hardware.

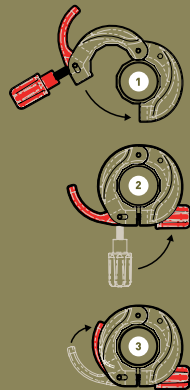
- 84626001** H-RAIL BOLT ON RAIL KIT 9"
- 84626101** H-RAIL BOLT ON RAIL KIT 21"

# HOBIE H-RAIL SYSTEM



**ADJUSTABILITY IS ELEMENTARY.**

Attaching, removing and adjusting H-Rail accessories is literally as easy as one, two, three.



1. Wrap clamp around rail.

2. Latch gate and tighten.

3. Close locking lever.

## H-RAIL RB STARPORT HD

Comes with the popular RAILBLAZA Starport HD with locking slide. Mounts to the 12-sided H-Rail without any drilling or tools needed.

84620204 H-RAIL STARPORT HD



## H-RAIL RB MINIPOINT

The Hobie H-Rail MiniPort allows users to fit and re-task the full range of RAILBLAZA accessories to Hobie H-Rails. It clamps to the 12-sided H-Rail without any drilling or tools needed.

84620202 H-RAIL MINIPOINT



## H-RAIL SCOTTY DECK/SIDE

We adapted this popular Scotty mount to fit our 12-sided H-Rail without any drilling or tools needed.

84620154 H-RAIL SCOTTY MOUNT



## H-RAIL SCOTTY GEAR HEAD

H-Rail Gear-Head quickly slides into place and locks down your post mounted Scotty rod holders and accessories. This system allows you to quickly change rod holder positions with a simple "twist".

84620152 H-RAIL GEAR HEAD



## H-RAIL MINI TACKLE BIN

The H-Rail Mini Bin packs serious utility! It's slim and rugged design features a built-in 42" retractable gear tether, a tool holder for pliers or fish grips, four clip points for leashing down gear and raised drain channels in the floor so your gear won't ever sit in water. Four mounting locations for its integrated H-Rail clamp allows for a variety of orientations, giving you the flexibility to mount the bin just about anywhere you've got an open section of H-Rail. Perfect for holding the tools you need close to hand including your VHF radio, cell phone, packs of soft plastics or a digital camera for those fishing CPR tournaments. Overall dimensions: 9" L x 3" W x 4" T; bin dimensions: 5" L x 3" W x 4" T.

84623004 MINI TACKLE BIN / H-RAIL



## H-RAIL TACKLE BIN

Add more storage or hold more gear. Designed to hold fishing tackle boxes, the tackle bin also includes a removable tray, Bungee® retainers, and plenty of places to clip things to. Store tools and use it as a place to collect odds and ends that usually clutter your fishing area.

84623001 TACKLE BIN / H-RAIL

84624011 REPLACEMENT TRAY



## H-RAIL CUP HOLDER

Always have your favorite beverage conveniently located and secure.

84621001 CUP HOLDER / H-RAIL



## H-RAIL MOUNTING PLATE

Mount almost any accessory to the H-Rail using this universal mounting plate. It's durable, easy to drill through and flat on the top and bottom, allowing bolts, nuts and washers to fit snugly.

84622001 MOUNTING PLATE / H-RAIL



## H-RAIL G-HOLD

Secure paddles, push poles, nets, gaffs or anything of moderate size up to 2 inches in diameter. The flexible quick-release strap has two securing points for security of minimum and maximum diameters, providing strong retention. It clamps to the 12-sided H-Rail without any drilling or tools needed.

84620200 H-RAIL G-HOLD



## H-RAIL MIGHTY MOUNT

Use it to attach your track mounted accessories. Use it as a standalone mount to secure your VISICarbon Pro™. Use it with the brand new Screwball™ or the Panfish™ camera pole.

84620153 H-RAIL MIGHTY MOUNT



## H-RAIL RAM® MOUNTS

Add your favorite accessories to RAM Mounts on the H-Rail using the 1" or 1.5" ball.

84620101 MOUNT 1" RAM BALL / H-RAIL



84620151 MOUNT 1-1/2" RAM BALL / H-RAIL

## H-RAIL ROD RACKS

Designed for horizontal rod storage. Padding on the interior protects your investment, plus rod retainers secure your rods in position for easy access, surf landings or transport. When rotated, the Rod Rack can be used for storing other accessories like a paddle, sail or stakeout pole.

84625001 ROD RACK / H-RAIL



## H-RAIL ROD HOLDER

The H-Rail Rod Holder clamps to Hobie's H-Rail making it easily adjustable along the H-Rail or rotated to a desired angle inboard or outboard. A second lever allows the rod tube to be rotated at angles forward to aft. The rod holder can be clamped facing inboard or outboard depending on the desired use. It's a tube design with a removable gimbal pin and a reel holder that can be rotated to orient baitcasting or spinning rods into the perfect position. The two oversized padeyes can be used for rod leashes or to secure the rod holder to the boat and prevent it from slipping under high loads. Hobie always recommends using a rod leash and suggests the 72020099 Strap Kit to secure the rod holder in position for big game trolling.

72020098 ROD HOLDER / H-RAIL



72020099 HD STRAP KIT



## DLX MOUNTING BOARD KIT - PRO ANGLER

2018 Pro Angler Deluxe Mounting Boards feature a built-in, center loading accessory track, knife holder, pliers holder and clip points for leashing gear. We've also given the topside a textured finish to increase friction with track mounted accessories. Installs simply and securely to pre-2018 model year Pro Anglers using included hardware.

84502121 DLX MOUNTING BRD KIT - PRO A



## HOBIE HORIZONTAL ROD HOLDER KIT

Keep your fishing rod secure and protected along the side of your kayak. Insert the rod tip into the tip protector and lock the rod handle into the clasp. Easy to install using the provided hardware. Choose either through-bolts or sheet metal screws. Fits any kayak. Patent Pending.

72021060 HORIZONTAL ROD HOLDER KIT



## ADJUSTABLE ROD HOLDER

Fits into Hobie's molded-in rod holders and fastens to the boat using 2 straps and padeyes (included). Release the lever to adjust the angle of the rod holder. Allows you to adjust the angle of their rod so it is best suited for the fishing situation. It is a tube design with a removable gimbal pin and a reel holder that can be rotated to orient baitcasting or spinning rods into the perfect position. The two oversized padeyes can be used for rod leashes. Extremely popular with anglers who like to troll. Hobie recommends using a rod leash to tether your rod to the kayak when fishing for big game.

72020074 ADJUSTABLE ROD HOLDER



## HOBIE ROD HOLDER EXTENSIONS

These fit right into the molded-in rod holders and offer a larger diameter sleeve that is deeper. Keep your fishing rods secure and reels higher out of the water. Leash the holder extension to the boat and the rod to the holder using the molded eyes.

72020014 ROD HOLDER EXTENSION



## HOBIE ROD LEASH

Secure the rod leash to boat and rod. Quick snap connection feature allows easy detachment when needed. Webbing construction with quick connect hook.

74052001 ROD LEASH - WEBBING



## HOBIE GEAR KEEPER

Keep your equipment onboard with Hobie Gear Keepers. These low force retractor tools are ideal for gear such as pliers, dykes, lipper tools etc.

72020000 SMALL HOBIE GEAR KEEPER

Features: 36" 50lbs Breaking Strength Spectra Nylon Line, Plastic Snap Clip, 3/8" Quick Connect Split Ring.

72020001 LARGE HOBIE GEAR KEEPER

Features: 36" 60 lbs. Breaking Strength Nylon Coated Stainless Steel Cable, Stainless Steel Spring and Hardware, Plastic Snap Clip.

72020000

72020001







**RAM**

The revolutionary universal ball and socket mounting system that allows you to mount practically anything anywhere.



72023051 RAM TUBE 2008 ROD HOLDER 1.5 BALL



72023049 RAM TUBE JR HOLDER 1.5 BALL



72023050 RAM ROD 2000 ROD HOLDER 1.5 BALL



72023048 RAM ROD 2007 JR. FLY ROD HOLDER 1.5 BALL

**RAM CAMERA MOUNT**

\*Comes disassembled - requires glueing (PVC cement)



72023032 CAMERA MOUNT 18" ARMS (PAIR)



MOUNT TO 1.5" BASE NOT INCLUDED



72023033 RAM SMALL ROUND BASE 1/4"-20 1" BALL

ADD CAMERA ADAPTER BALL

72023034 RAM GOPRO MOUNTING BASE 1" BALL

72023035 Fits 1" Ball

**RAM TRANSDUCER ARM MOUNT**

Compatible with all transducers which attach using a 1/4" bolt. An 18" rigid aluminum rod can be bent to position your transducer to its optimum location. Patented socket technology allows for quick raising, lowering, removal and stowage of transducer arm. Transducer not included with purchase.

72023035 RAM 18" MOUNT TRANSDUCER



72023056 RAM X-GRIP UNIVERSAL HOLDER W/ 1" BALL ARM

**H-RAIL RAM MOUNTS**

Add your favorite accessories to RAM Mounts on the H-Rail using the 1" or 1.5" ball.

84620101 MOUNT 1" RAM BALL / H-RAIL

84620151 MOUNT 1-1/2" RAM BALL / H-RAIL



The RAM Tough-Claw™ is the perfect mounting base for quick and easy tool-less installation and removal on round, square, odd shaped rails and bars.



RAM LARGE TOUGH CLAW Clamping range 1" to 2.25" 72023066 w/1" BALL 72023067 w/1.5" BALL



RAM SMALL TOUGH CLAW Clamping range .625" to 1.5" 72023064 w/1" BALL 72023065 w/1.5" BALL



72023045 RAM BASE 1" BALL ROUND 2 7/16"



72023044 RAM BASE 1" DIAMOND 2 7/16" X 1 5/16"



72023046 RAM BASE 1.5" BALL 2" X 2.5"



72023058 RAM 1" TRACK BALL 72023059 RAM 1.5" TRACK BALL



72023036 RAM 10" POST EXTENSION ARM 1.5"



72023047 RAM DBL BALL SOCKET ARM 1.5" BALL / PLASTIC

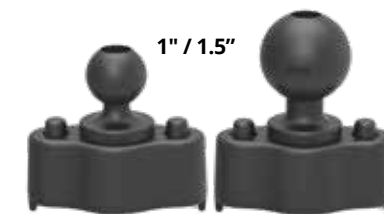


72023042 RAM BOND A BASE - WHITE ONLY FOR 1" BALL MOUNTS - INCLUDES FASTENERS AND GLUE



72023019 RAM DBL SOCKET ARM 1" BALL

ACCESSORY TUBE WEDGE MOUNT (ALSO FITS SCOTTY) 1" or 1.5" BALL (1.5" Shown) 72023016 1" BALL 72023015 1.5" BALL



RAM TRACK BALL QUICK RELEASE 72023062 1" BALL 72023063 1.5" BALL

**RAM ROD HOLDERS / MOUNTS / BASES / ARMS**

72023015 RAM MAST-TUBE WEDGE MOUNT 1.5"

72023016 RAM MAST-TUBE WEDGE MOUNT 1"

72023019 RAM DBL 1" BALL SOCKET ASSEMBL

72023032 RAM CAMERA MOUNT ARMS

72023033 RAM SMALL ROUND BASE 1/4"-20

72023034 RAM GOPRO MOUNTING BASE 1"

72023035 RAM 18" TRANSDUCER MNT

72023036 RAM 10" POST EXTENSION ARM 1.5

72023042 RAM BOND A BASE - INFLAT/GREY

72023044 RAM BASE 1" DIAMOND 2 7/16" X

72023045 RAM BASE 1" BALL ROUND 2 7/16"

72023046 RAM BASE 1.5" BALL 2" X 2.5"

72023047 RAM DBL BALL SOCKET ARM 1.5" P

72023048 RAM ROD 2007 JR. FLY ROD HOLDER

72023049 RAM TUBE JR HOLDER

72023050 RAM ROD 2000 ROD HOLDER

72023051 RAM TUBE 2008 ROD HOLDER

72023056 RAM X-GRIP UNIVERSAL HOLDER W/

72023058 RAM 1" TRACK BALL

72023059 RAM 1.5" TRACK BALL

72023062 RAM 1" TRACK BALL QUICK RELEAS

72023063 RAM 1.5" TRACK BALL QUICK RELE

72023064 RAM SM TOUGH CLAW w/1" BALL

72023065 RAM SM TOUGH CLAW w/1.5" BALL

72023066 RAM LG TOUGH CLAW w/1" BALL

72023067 RAM LG TOUGH CLAW w/1.5" BALL



## RAILBLAZA

Diverse, flexible and user-friendly mounting systems and accessories. Your StarPort™ can be mounted just about anywhere! Then add the desired accessories to mount onto the starport

### STARPORT

The StarPort allows users to fit and re-task the full range of RAILBLAZA accessories. The StarPort can be used as either a deck mount or flush mount base. This base not only comes with a gasket and cap, but also features a slide locking mechanism to confidently lock the RAILBLAZA accessory in place. Stainless Steel mounting hardware included.

**72026207** RB STARPORT BLACK



### STARPORT HD

The base combines the strength of a deck mount with the cosmetic appeal and practicality of a flush mount. The StarPort HD can also be mounted on many popular track systems. Versatility of tool-free adjustment. Stainless Steel mounting hardware included. Want a tool-free and centrally mounted lockable mount on your kayak track? The StarPort HD can achieve this with the addition of the StarPort HD TracMount Kit 72026212.

**72026208** RB STARPORT HD BLACK



### MINIPOINT TRACMOUNT

The RAILBLAZA MiniPort TracMount is designed to fit industry standard gear tracks, and installs without tools. Re-positioning the MiniPort along the track is as simple as turning counter-clockwise to release the tension, sliding into the desired position and turning clockwise to secure the mount. NOTE: All single mount track bases are designed for use in light duty applications, and must be mounted on the starboard side if used with trolling.

**72026213** RB MINIPOINT TRACMOUNT



### FIXED EXTENDER

The Fixed Extender gives you 5 inches of clearance from the StarPort - an optimum distance for freeing up the cockpit and creating additional leg room on kayaks.

**72026211** RB 5" FIXED EXTENDER



### AKA STARPORT MOUNT

AKA StarPort Mounts allow the easy attachment of a RAILBLAZA StarPort to your Hobie AKA (V2). The StarPort Mount is designed to fit securely on the AKA of an Island or Tandem Island without twisting.

**72026210** RB RAILMNT AKA STARPORT COMB



### H-RAIL READY!

#### H-RAIL STARPORT HD

Mount the Hobie H-Rail StarPort HD on the 12-sided H-Rail without any drilling or tools needed.

**84620204** H-RAIL STARPORT HD



#### H-RAIL MINIPOINT

Mount the Hobie H-Rail MiniPort on the 12-sided H-Rail without any drilling or tools needed.

**84620202** H-RAIL MINIPOINT



#### H-RAIL G-HOLD

Secure paddles, push poles, nets, gaffs or anything of moderate size up to 2 inches in diameter. The flexible quick-release strap has two securing points for security of minimum and maximum diameters, providing strong retention. It clamps to the 12-sided H-Rail without any drilling or tools needed.

**84620200** H-RAIL G-HOLD



### ROD HOLDER II

Hold a bait caster, spinning rod, trolling rod, or fly rod. The rotating collar secures rod in place and the rear gimbal lock reduces rod rotation for compatible rods. Also offered with the StarPort HD mount (Stainless Steel mounting hardware included with 72026209 Rod Holder II / StarPort HD).

**72026200** RB ROD HOLDER II ONLY BLACK

**72026209** RB ROD HOLDER II WITH STARPORT HD



### G-HOLD 50

The G-Hold 50 is recommended to secure paddles, boga grips and anything of moderate size up to 2 inches around. The flexible quick-release strap has two securing points for security of minimum and maximum diameters, providing strong retention. G-Holds install in any RAILBLAZA base.

**72026202** RB G-HOLD 50MM(2") SINGLE BLK



### GUNHOLD

The RAILBLAZA GunHold allows you to safely stow and transport your rifle or shotgun. The flexible rubber fingers shape to fit different gun butts and the strap secures the shotgun/rifle against vibration and damage. The GunHold is compatible with all RAILBLAZA Bases and can be used on ATVs, kayaks, boats, SUPs, and all other hunting vessels.

**72026203** RB GUNHOLD (EA)



### CAMERA MOUNT KIT

With the RAILBLAZA Camera Mount Kit, you can securely mount your camera on your kayak, paddleboard, or many other surfaces by simply making it StarPort compatible. The kit is compatible with any camera featuring a 1/4-20 thread insert while also including a GoPro tripod adaptor to make the kit compatible with all GoPro cameras.

**72026205** RB CAMERA MOUNT KIT



### RAILBLAZA ROD HOLDERS / MOUNTS

**72026200** RB ROD HOLDER II ONLY BLACK

**72026201** RB ROTATING PLATFORM 102MM(4")

**72026202** RB G-HOLD 50MM(2") SINGLE BLK

**72026203** RB GUNHOLD

**72026204** RB CAMERABOOM 600 PRO SERIES

**72026205** RB CAMERA MOUNT KIT

**72026206** RB BLACK RIBPORT / STARPORT W/

**72026207** RB STARPORT BLACK

**72026208** RB STARPORT HD BLACK

**72026209** RB ROD HOLDER II STARPORT HD K

**72026210** RB RAILMNT AKA STARPORT COMB B

**72026211** RB 5" FIXED EXTENDER

**72026212** RB STARPORT HD TRACMOUNT KIT

**72026213** RB MINIPOINT TRACMOUNT

**72026214** RB VISIBILITY KIT II

**84620200** H-RAIL G-HOLD

**84620202** H-RAIL MINIPOINT

**84620204** H-RAIL STARPORT HD



### VISIBILITY KIT II

The RAILBLAZA Visibility Kit II is a must-have safety item for any kayak angler or recreational paddler. The Visibility Kit II meets US Coast Guard 2 Nautical Mile regulations, and disassembles when you're finished to be stored just about anywhere. The i360 light portion can be fitted to any RAILBLAZA StarPort around the kayak. The Extenda Pole 1000 portion can be used to display a flag, or combine with RAILBLAZA camera mounts as a camera pole.

**72026214** RB VISIBILITY KIT II



### CAMERA BOOM 600

The Camera Boom 600 is the perfect way to hold the camera and capture the action. Capturing your adventure from the perfect angle is now made easy. Over 30 inches long and fully adjustable with 4 moving joints, capturing any angle is possible. This camera mount will fit into any RAILBLAZA StarPort.

**72026204** RB CAMERABOOM 600 PRO SERIES



### ROTATING PLATFORM

The Rotating Platform allows for 360 degrees of rotation, easily clips in and out of your StarPort. Perfect for mounting fish finders, cameras, or other electronics.

**72026201** RB ROTATING PLATFORM 102MM



### STARPORT HD TRACMOUNT KIT

Want a tool-free and centrally mounted lockable mount on your kayak track? The StarPort HD can achieve this with the addition of the StarPort HD TracMount Kit. This is the StarPort of choice for heavy-duty applications such as trolling or mounting heavier gear.

**72026212** RB STARPORT HD TRACMOUNT KIT



### I-SERIES BASE

Expand the rigging capabilities of inflatables, stand up paddleboards or coolers (without drilling). The i-Series Base allows the addition of useful StarPort attachments. The 6x4-1/2 inch base is easily applied to any flat surface with the included 3M backing adhesive.

**72026206** RB BLACK RIBPORT / STARPORT



**FOR ALL ITEMS WITH POLYCARBONATE LOCKING SLIDE; IMPORTANT:** Use of petroleum based lubricants on the StarPort slide will cause failure. Silicone based products are best suited (please check contents of lubricant before using).



## SCOTTY

Innovative designs and many versatile mounting options, we're sure you'll find the exact combination you're looking for. Scotty Rod holders were designed with one major purpose in mind: Fight the fish, not the fishing gear!



### BAIT CASTER

Holds a bait caster reel in a cushioned cradle. A slot in the front of the rod holder allows for a spinning reel to be securely held in position. The rod holder design has a side mounted flange, which leaves the bottom open. This allows for the rod holder to accommodate trigger grips. Pistol grip rod butts easily clear the sides of the rod holder for quick rod retrieval. Rod can be secured in holder with a soft latching strap which snaps over the top. Mount not included.

**80048011** BAIT CASTER ROD HOLDER

### ROCKET LAUNCHER

Fully Adjustable rod holder, composite construction, accommodating all rods. Mount not included.

**80048015** ROD HOLDER ROCKET LAUNCHER



### RODMASTER II

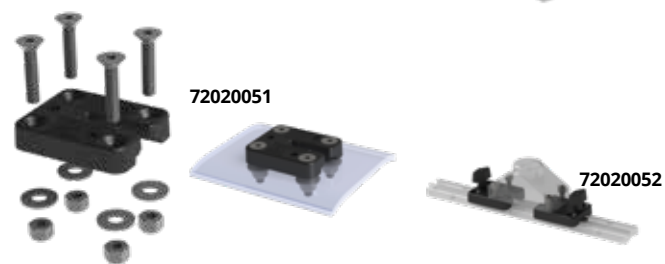
Fibre reinforced engineering nylon offers strength, resilience and reliability. Also comes with a removable gimbal pin. Mount not included.

**80048014** ROD HOLDER RODMASTER II

### FLY ROD HOLDER

Allows hands free trolling with a fly rod. Fully adjustable and includes a safety strap. Fly Rod Holder Interior Diameter: 1.16"

Mount not included.  
**80055011** FLY ROD HOLDER



### MIGHTYMOUNT™

Use it to attach your track mounted accessories. Use it as a standalone mount to secure your VISICarbon Pro™. Use it with the brand new Screwball™ or the Panfish™ camera pole.

**72020051** W/ MOUNT HDWR

**72020052** SCOTTY KIT W/HDWR

### FLUSH MOUNT

Sealed base for watertight applications (such as kayak decks). For all Scotty post mount rod holders. Dimensions: 4" x 2" x 2", Bolting Dimensions: 1 5/16" x 3 3/16"

**80049011** FLUSH MOUNT W/HDWR



### DECK / SIDE MOUNT

1.16", Mount Dimensions: 4" x 2" x 2", Bolting Dimensions: 1 5/16" x 3 3/16"

**80052011** DECK / SIDE MOUNT W/HDWR

### H-RAIL SCOTTY DECK/SIDE

We adapted this popular Scotty mount to fit our 12-sided H-Rail without any drilling or tools needed.

**84620154** H-RAIL SCOTTY MOUNT



### ADJUSTABLE EXTENDER 6.5"

Easier access to your rod and reel. Extends the height of the rod holder by 6 1/2", allowing for faster access when that fish strikes. Allows angle adjustments. Made from super tough re-enforced nylon. Works with Scotty post mount rod holders

**80048010** ROD HOLDER HEIGHT EXTENDER 6.5"



### CAMERA MOUNT

The Scotty Portable Camera Mount is fully twistable, turnable, rotatable, and best of all, instantly portable. Locks down a standard camera or sports cam without needing a special adaptor.

**80048020** CAMERA MOUNT POST - SCOTTY



### LOW PROFILE TRACK

The lowest profile track on the market and a top load design allows for quick and easy setup of all your Scotty Rod Holders and Accessories (Mount using #10 x 3/4" PHSMS)

**80048021** TRACK, 1" LOW PROFILE SCOTTY.

**80048022** TRACK, 4" LOW PROFILE SCOTTY

**80048023** TRACK, 8" LOW PROFILE SCOTTY



## HUNTING

### GUN MOUNT for your kayak.

Mounts to kayak rail for easy access.

**72020013** GUN MOUNT



### GUNHOLD

The RAILBLAZA GunHold allows you to safely stow and transport your rifle or shotgun. The flexible rubber fingers shape to fit different gun butts and the strap secures the shotgun/rifle against vibration and damage. The GunHold is compatible with all RAILBLAZA Bases and can be used on ATVs, kayaks, boats, SUPs, and all other hunting vessels.

**72026203** RB GUNHOLD (EA)

Choose an appropriate RailBlaza base Page 32-33



### H-RAIL GEAR HEAD

H-Rail Gear-Head quickly slides into place and locks down your post mounted Scotty rod holders and accessories. This system allows you to quickly change rod holder positions with a simple "twist".

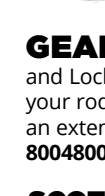
**84620152** H-RAIL GEAR HEAD



### GEAR HEAD TRACK ADAPTER

Gear-Head Track Adapter quickly slides into place and locks down your post mounted Scotty rod holders and accessories. This system allows you to quickly change rod holder positions with a simple "twist". Designed to fit all kayak track systems.

**80048007** GEAR HEAD TRACK ADAPTER



### GEAR HEAD MOUNT Quick and Easy, Drop and Lock System.

Allows you to secure and re-position your rod holder with just a twist. Use in conjunction with an extender to bring your rod closer to you.

**80048006** GEAR HEAD MOUNT



### SCOTTY ROD HOLDERS / MOUNTS

**80048011** Rod Holder - Bait Caster

**80055011** Rod Holder - Fly Rod

**80048014** Rod Holder ROD MASTER II

**80048015** Rod Holder Rocket Launcher

**80048006** Gear Head Mount

**80048007** Gear Head TRACK ADAPTER

**80052011** Mount - Deck / Side W/HARDWARE

**80049011** Mount - Flush W/HARDWARE

**80048009** BACKING PLATE / HARDWARE

**80048010** ADJUSTABLE EXTENDER 6.5"

**80048020** CAMERA MOUNT POST - SCOTTY

**80048021** TRACK, 1" LOW PROFILE SCOTTY

**80048022** TRACK, 4" LOW PROFILE SCOTTY

**80048023** TRACK, 8" LOW PROFILE SCOTTY





**HOBIE STAKE-OUT POLE**

Hold position in shallow water by inserting the Hobie Stake-Out Pole into sand or mud. Fiberglass pole with metal tip, rubber grip handle and attachment line system.

*(Connect to the Hobie Anchor Trolley System for best results)*

**72076001** STAKE-OUT POLE



**HOBIE ANCHOR TROLLEY KIT**

Easily deploy your anchor, drift chute or stake out pole over the side of the cockpit area, then move the attachment position forward or aft to hold your boat in the position desired. Easily sit facing down stream / wind at anchor. Simple pulley system and cleat allows adjustment all along one side of your boat anywhere from bow to stern. PA 12 and 2013+ PA 14s are "Trolley Ready" with molded-in fittings to mount the turning blocks.

**72020073** TROLLEY KIT - TROLLEY READY or THROUGH BOLT

**72020273** TROLLEY KIT - WELLNUT / COMPASS/DUO/OUT19/PASSPORT



**ANCHOR KIT**

3.5 pound folding anchor, bag and 60 feet of line. (Connect to the Hobie Anchor Trolley System for best results)

**80035A** ANCHOR



**HOBIE DRIFT CHUTE**

Large cone shaped "para" chute deployed in the water slows your drift in windy conditions when anchoring is not possible or desired. Design keeps chute just under the surface and fully inflated. Anchor line not included. (Connect to the Hobie Anchor Trolley System for best results)

**72020009** DRIFT CHUTE

**PARKNPOLE LINK, 3 PIECE 12' STAKEOUT / PUSH POLE**

A floating stakeout / push pole with lots of great features. Lightweight and incredibly durable. Simply remove the middle section and go from a 12' push pole to an 8' stakeout pole, or break down for easy transport to and from the water.

**72020131** PARKNPOLE LINK 3PC 12'



**POWER-POLE**

Fast and secure anshoring for Hobie Pro Angler, Outback and Compass; Power-pole, mount and power supply! Easy as... 1 - 2 - 3!



**1 - POWER-POLE MICRO AND SPIKE**

Includes Micro Driver Unit and 8ft UL Spike. This all-electric unit is extremely quiet and easy to use. It works with a 3/4" spike to stop and anchor your kayak at the push of a button. It functions as a conventional stakeout pole or shallow water anchor without having to manually deploy it yourself. When the wind and water are moving, you won't be. With Power-Pole's signature strong hold, the Micro gives you a smooth stop on the spot in seconds. Whether you're anchored in sand, rock or mud - it's swift, silent, and secure.

**72020083** POWER-POLE MICRO AND SPIKE

*(Mounting requires Hobie mounting kits to properly distribute loads. Not approved for use on other Hobie models at this time)*



**2 - MOUNT KIT**

Attach a Power-Pole Micro to the stern of your Hobie using the hardware and mounting plate that comes in this kit.

**72020176** Pro Angler

**72020138** Outback 2019

**72020175** Compass

**2 - OUTBACK MOUNT KIT**

This Yakattack adaptor plate is specifically designed to stern mount a Power-Pole Micro to a <=2018 Hobie Outback. The offset mount allows for use with the rudder. Hardware included.

**72020132** OUTBACK MOUNT KIT



or ...



**3 - LITHIUM BATTERY PACK**

The Micro Battery Pak is not just any battery pack; it utilizes advanced Lithium-Ion technology to ensure the longest performance while maintaining the highest built-in safety standards. Delivering a minimum of 100 cycles per charge, it can easily handle a full day of excitement on the water. The Micro Battery Pak includes battery pack, mounting harness, AC wall adapter, and charger.

**72020185**

**3 - HOBIE POWER KIT**

Power up your Power-Pole Micro using this Hobie kit. Kit includes 12V battery, charger, battery holder, and all of the wire plugs, adapters and connectors.

**72020076**

**INDIVIDUAL PARTS / SPARES:**

**POWER-POLE MICRO ANCHOR MOTOR** Micro Driver Unit includes wireless remote control, advanced wireless dash switch, mounting hardware, fully adjustable mounting bracket, electrical cord/plug/ battery terminals, quick release cord, free app (Android), USB Connector, and Bluetooth

**72020084** POWER-POLE MICRO ANCHOR MOTOR

**72020085** 8 ft SPIKE - POWER-POLE MICRO

**72020079** 6 ft SPIKE - POWER-POLE MICRO

**MOUNT PLATE** For Pro Angler 12/14/17T  
**72020177** POWER-POLE MOUNT PLATE ONLY



- 1 - CHOOSE A FISHFINDER...**  
**2 - CHOOSE A MOUNT... CHOOSE A BASE...**  
**3 - CHOOSE AN INSTALLATION KIT**

### FISHFINDER HOOK2 4X GPS

Great for kayaks, the compact HOOK2 4x GPS features proven Broadband Sounder™ and a basic GPS plotter. If basic navigation is all you need, the simple and accurate GPS plotter of the HOOK2 'x' models let you add waypoints, follow trails and navigate to your favorite fishing spots. (\*'x' models do not support add-on mapping such as C-Map).

Compatible FF Mount 72023060 RAM 1" 72020208 HOOK2 4x GPS



### HOOK2 5 SPLITSHOT

The versatile Hook2 5 SplitShot pairs wide-angle Broadband Sounder™, High CHIRP and DownScan Imaging™ with built-in mapping. This 2-in-1 sounder fits the needs of most fishing trips. Track baits, mark fish, and identify structure under your kayak. The Hook2 5 SplitShot will help narrow your search for productive water features like ledges, points or drop-offs with a bird's eye view of 1-foot contours on more than 3,000 lakes.

Compatible FF Mounts 72023060 RAM 1" or 72023061 RAM 1.5" 72020209 HOOK2 5 Splitshot



### HOOK2 7 SPLITSHOT & TRIPLESHOT

The 2-in-1 SplitShot version pairs wide-angle Broadband Sounder™, High CHIRP and DownScan Imaging™ with built-in mapping. TripleShot gives you all that, PLUS SideScan imaging for scanning large areas around you. Track baits, mark fish, and identify structure under and around your kayak. The Hook2 7 SplitShot or TripleShot will help narrow your search for productive features like ledges, points or drop-offs with a bird's eye view of 1-foot contours on more than 3,000 lakes. Compatible FF Mount 72023055 RAM 1.5" for HDS

72020210 HOOK2 7 SplitShot  
 72020211 HOOK2 7 TripleShot



### 72020221 C-MAP INSIGHT PRO

Coverage of the entire US Inland and Coastal on a single SD card without any download required.

### 72020222 POINT-1 GPS ANTENNA

The ideal position and heading device. The Point-1 provides extremely accurate and rapid boat position and speed updates.

72020127 NMEA2000 STARTER KIT

**Transducer Reference chart:** "BULLET" indicates a single frequency, skimmer style transducer with GPS. Mounts inside the Lowrance Ready cavity using our factory installed Lowrance Ready mounting plate. "SPLITSHOT" indicates a skimmer style transducer, equipped with High CHIRP and DownScan Imaging, plus detailed GPS mapping. Mounts inside the Lowrance Ready cavity using our factory installed Lowrance Ready mounting plate. "TRIPLESHOT" indicates a long, skinny transducer profile, equipped with High CHIRP, DownScan Imaging and SideScan Imaging, plus detailed GPS mapping. Mounts to our Lowrance Ready cavity using mounting kit: **TripleShot Transducer Mount Kit, Hobie Part Number 72020220** incorporates a modified TotalScan Lowrance Ready mounting plate, Tripleshot adapter mount and necessary hardware.

### HOOK2 9 SPLITSHOT & TRIPLESHOT

Big screens give you better target separation, allowing you to see exactly what's what in the water column. The 2-in-1 SplitShot version pairs wide-angle Broadband Sounder™, High CHIRP and DownScan Imaging™ with built-in mapping. TripleShot gives you all that, PLUS SideScan imaging for scanning large areas around you. Track baits, mark fish, and identify structure under and around your kayak. The Hook2 9 SplitShot or TripleShot will help narrow your search for productive features like ledges, points or drop-offs with a bird's eye view of 1-foot contours on more than 3,000 lakes.

Compatible FF Mount 72023055 RAM 1.5" for HDS

72020212 HOOK2 9 SplitShot

72020213 HOOK2 9 TripleShot



### ELITE 7Ti2

Featuring support for Active Imaging™, FishReveal™ and built-in US Inland charts and Genesis Live onscreen mapping, the Elite-7 Ti2 fishfinder/chartplotter is a small enough footprint to be a perfect fit for kayaks. Elite Ti2 packs Active Imaging™, our highest quality sonar ever, FishReveal™, built-in Genesis Live real-time mapping and enhanced screen clarity and target separation. Plus, with features that make your life easier on the water, like an easy-to-use touchscreen, wireless networking, smartphone notifications and trolling motor/Power Pole® integration – Elite Ti2 was designed to help you have an easier time finding fish.

Compatible FF Mount 72023054 RAM 1.5"

72020218 ELITE 7 Ti2



### ELITE 9Ti2

A larger screen than the 7" version gives you even greater target separation and image clarity. Featuring support for Active Imaging™, FishReveal™ and built-in US Inland charts and Genesis Live onscreen mapping, the Elite-9 Ti2 fishfinder/chartplotter is a small enough footprint to be a perfect fit for kayaks. Elite Ti2 packs Active Imaging™, our highest quality sonar ever, FishReveal™, built-in Genesis Live real-time mapping and enhanced screen clarity and target separation. Plus, with features that make your life easier on the water, like an easy-to-use touchscreen, wireless networking, smartphone notifications and trolling motor/Power Pole® integration – Elite Ti2 was designed to help you have an easier time finding fish.

Compatible FF Mount 72023055 RAM 1.5" for HDS

72020219 ELITE-9 Ti2 TotalScan



Warranty on Lowrance product is handled by Lowrance: <https://www.lowrance.com/help-and-support/warranty-information/>

### 2 - FISHFINDER MOUNTS BY RAM



72023052



72023053  
72023054



72023060  
72023061



72023055  
FITS HDS

72023052 RAM FISH FINDER BASE W/ 1" ARM  
 72023053 RAM LOWRANCE BASE W/ 1" ARM  
 72023054 RAM LOWRANCE BASE W/ 1.5" ARM

72023055 RAM LOWRANCE BASE W/ 1.5" ARM  
 72023060 RAM LOWRANCE BASE W/ 1" ARM  
 72023061 RAM LOWRANCE BASE W/ 1.5" ARM

...THEN CHOOSE RAM BASE (PAGE 31)

### 3 - FISHFINDER INSTALLATION KITS

#### FISHFINDER INSTALLATION KIT FOR LOWRANCE READY/GUARDIAN

This kit includes everything you need for wiring up your fishfinder to any Hobie kayak with the "Lowrance Ready" feature. Kit Includes: (Shown with) 12V 9AH waterproof gel cell battery and charger or NOCQUA Lithium battery system, wiring hardware, and battery holder which mounts to the sail / accessory post or in the lip of an 8" twist and seal hatch. (For Passport 12 requires 72026217 Fit Kit).

72020070 KIT WITH GEL CELL (SHOWN)

72020145 KIT WITH LITHIUM PRO POWER



#### FISHFINDER I-SERIES INSTALLATION KIT

Hobie's plug-and-play option for outfitting your inflatable kayak with a fish finder. This kit includes everything you need to install and power a fish finder on your Hobie iSeries kayak. We've incorporated our Rudder Ready\* transducer mounting kit, a custom RAM fishfinder mount extension that attaches to your Vantage seat, a lightweight PRO POWER 12V, 10 amp hour lithium battery, charger and wiring components. Simplifies transducer mounting on inflatable kayaks with wires run externally. \*Not suitable for retractable Pro Angler style rudders.

72020143 i-SERIES KIT

#### FISHFINDER RUDDER READY INSTALLATION KIT

Hobie's Rudder Ready fish finder installation kit provides everything you need for wiring up and powering a fishfinder on your rigid kayak without the Lowrance Ready feature. Kit includes Hobie's Rudder Ready\* transducer mount, thru-hull plugs, 12V gel cell battery and charger, battery holder, wiring components and zip ties for tidying everything up. \*Not suitable for retractable Pro Angler style rudders.

72020144 RUDDER READY KIT



#### HOBIE - PASSPORT 12 FISHFINDER FIT KIT

72026217 FIT KIT

#### HOBIE - LOWRANCE READY HUMMINBIRD ADAPTER

84505901 ADAPTER KIT, HUMMINBIRD FF

#### HOBIE RUDDER READY KIT

Hobie's answer for outfitting your inflatable kayak with a fish finder. The Rudder Ready\* kit allows you to securely mount a transducer to any kayak with a Twist and Stow style rudder system. Eliminates the need for over-the-side mounting arms, and simplifies transducer mounting on kayaks without the Lowrance Ready feature. \*Not suitable for retractable Pro Angler style rudders.

79050306 RUDDER READY KIT



#### LOWRANCE® READY TOTALSCAN® PLATE

The Lowrance Ready TotalScan transducer plate mounts in the same location as the standard Lowrance Ready transducer plate found on your Hobie fishing kayak. This mounting plate leaves the TotalScan transducer free of obstruction, allowing the side imaging technology to function with optimal performance. A protective dome on the front end offers protection against head-on collision damage. \*Transducer mounting hardware included.

72020207 LOWRANCE READY TOTALSCAN PLATE

72020220 TRIPLE SHOT KIT WITH PLATEZ



**LITHIUM PRO POWER KIT**

The perfect lithium ion power source for running your fish finder, GPS and other electronics! Nocqua's 12V, 10Ah Pro Power Kit is lightweight and compact, weighing in at just over 20 oz. It's safe, durable and water resistant and comes with all the components necessary for rigging up an individual device. Kit includes: 12V Lithium ion battery, 110V Charger, 12" connector with open leads, 6" heat shrink tubing and 2 heat shrink butt connectors.



72025010 LITHIUM PRO POWER KIT

**HOBIE 12V BATTERY**

Waterproof 9AH gel cell 12-volt battery with attached waterproof wiring and connectors, 12-volt battery charger.

72025001 HOBIE 12v BATTERY 9AH  
72025002 CHARGER - HOBIE 12v BATTERY



**HOBIE 12V BATTERY HOLDER**

Hobie's battery holder is versatile! Hang inside an 8" Twist and Seal hatch or mount to the mast / accessory receiver inside the hull.

72025007 HOBIE 12v BATTERY HOLDER



**HOBIE THRU HULL WIRING KIT**

Hobie thru hull fittings for routing wiring through cockpit area for FishFinders, GPS and more. Includes two through hull fittings with backing nuts, o-rings and one "tree" of adapters for different wire diameters. 3-Way version does not require backing ring for easier installation and allows larger cable end fittings to fit through a larger hole. Has 3 possible cable pass-through points.

86505621 HOBIE THRU HULL WIRING KIT  
86505613 HOBIE 3 WAY THRU HULL KIT

**ELEC CONNECTOR SET**

Set of male / female waterproof plugs with wires and 4 waterproof (silicone filled wire nut) connectors.

72021027 ELEC CONNECTOR SET  
72025005 (1) SILICONE FILLED WIRE NUT



**HOBIE MIRAGE KAYAK RIGGING STAND**

Place your kayak at a comfortable height for preparation of gear or while mounting hardware. Move the rack and boat around easily using a set of plug-in wheels as shown (not included). Multiple options for wheel use depending on your needs. The rack easily disassembles for flat storage. Not recommended for long term storage.

87363222 FLOOR STAND, MIRAGE RIGGING



**FLAT MOUNT TRACK KIT**

Hobie's Flat Mount track kit provides 12" of track mounting real estate. These tracks are intentionally designed with a slight curvature to match the outline of most Hobie kayaks, allowing them to fit areas where many other gear tracks don't. A great choice for alongside the bow hatch or near the stern. High grade stainless steel thru-bolt hardware is included so you can be confident the track won't budge under load. Dimensions: 14" x 1 5/8".

72026218 FLAT MOUNT TRACK KIT



**H-RAIL UPGRADE FOR H-TRACK DLX**

Swap out the bungee in the rear H-Track DLX assembly with a second set of H-Rail + Integrated Track! This kit is a breeze to install, and increases no-drill mounting options behind the seat of any 2019 Outback.

Hobie's unique H-Rail with integrated track yields a 17.5" multi-purpose mounting system for light AND heavy-duty applications. Clamp H-Rail rod holders to the rail for heavy-duty trolling, or use the track feature for lighter-duty accessory installations!

72020153 H-RAIL UPGRADE FOR H-TRACK DLX



**COMPASS FOOT BRACE KIT**

The Mirage Compass is also such a great paddle kayak that Hobie decided to make it "foot brace ready". Foot braces improve the user experience by offering more comfort and power while paddling from a seated position. Current model year Compass and Compass Duo kayaks are outfitted the with a brass insert on each side of the cockpit for easy foot brace installation.

The forward end of the Compass/Duo foot braces install to the brass inserts on either side of the cockpit, while the rear end thru-bolts using the included hardware and easy access through the 8" round hatch in front of the seat. The foot pads are easily adjustable to fit riders of various heights, and a trigger lock keeps the foot pad firmly in place while kayaking.

72020150 FOOTBRACE KIT COMPASS/DUO

**COOL AND QUIET!  
HOBIE EVA DECK PAD KITS**

These are custom fit to every curve of your Hobie kayak and deliver supreme comfort, traction and sound dampening qualities. The double layered, closed cell foam construction features a brushed finish and is mold, mildew and stain resistant. Applies using a strong peel-and-stick adhesive backing. UV stable in harsh climates. Choose complete coverage from bow to stern or the interior kits that cover just the cockpit and cargo areas.



PA12  
AEGEAN/BLUE

PA14  
GREEN/ESPRESSO

COMPASS  
GREY/CHARCOAL

- PRO ANGLER 14 COMPLETE**  
72020250 GREEN/ESPRESSO  
72020251 AEGEAN/BLUE  
72020252 GREY/CHARCOAL  
72020242 GREY/BLACK 360  
72020243 BLACK/GREY 360

- PRO ANGLER 12 COMPLETE**  
72020253 GREEN/ESPRESSO  
72020254 AEGEAN/BLUE  
72020255 GREY/CHARCOAL  
72020240 GREY/BLACK 360  
72020241 BLACK/GREY 360

- OUTBACK 2019+ COMPLETE**  
72020264 GREEN/ESPRESSO  
72020261 AEGEAN/BLUE  
72020267 GREY/CHARCOAL

- OUTBACK <=2018 COMPLETE**  
72020256 GREEN/ESPRESSO  
72020257 AEGEAN/BLUE  
72020258 GREY/CHARCOAL

- PRO ANGLER 14 INTERIOR**  
72020244 GREEN/ESPRESSO  
72020245 AEGEAN/BLUE  
72020246 GREY/CHARCOAL

- PRO ANGLER 12 INTERIOR**  
72020247 GREEN/ESPRESSO  
72020248 AEGEAN/BLUE  
72020249 GREY/CHARCOAL

- OUTBACK 2019+ INTERIOR**  
72020263 GREEN/ESPRESSO  
72020260 AEGEAN/BLUE  
72020266 GREY/CHARCOAL

- COMPASS COMPLETE**  
72020259 GREY/CHARCOAL



**MIRAGE ECLIPSE ACCESSORY BAG**

The Mirage Eclipse experience just got even better! Now you can take your essentials along with you by packing them away in this convenient Eclipse Accessory Bag.

Eclipse Accessory Bag Features:

- 3 easy Velcro straps for attachment to the Eclipse handle bar
- Water resistant construction for keeping things dry
- Key tether with YKK snap swivel for extra security
- Interior zipper pouch for organizing smaller items
- Drainage hole in the bottom of the bag to rid water and keep the interior of the bag dry
- Clear visibility window in the top of the bag so you know exactly what you're reaching for
- Dimensions: approx. 8" Tall x 8" Wide x 3" Deep

72020116 ACCESSORY BAG



**QUAD LOCK UNIVERSAL PHONE MOUNT**

The Quad Lock adapter allows you to mount a phone or small device to Handlebars, H-Rail, H-Bar tubing. Designed for biking, but great for Hobie rail attachment too! Quick 45 degree twist to attach and lock. Release spring lever and turn 45 degrees to remove the device from the mount. Attaches to rails with rubber rings or zip ties that are included in the kit. 3M adhesive adapter attaches securely to your device (water proof cases recommended of course).

72020511 QUAD LOCK

**UNIVERSAL MOUNT & CAGE**

Stay hydrated! This awesome mount with water bottle cage allows you to carry a water bottle on the Eclipse handlebar tubing. Adjustable for upper or lower tube size. Quick attachment and removal.

72020504 MOUNT W/BOTTLE CAGE



**HOBIE SUP / MSUP LEASH**

Safety leash worn above your calf leashes you to your board in case you fall off. 8' Coil. 470145-10 HOBIE SUP / MSUP LEASH



**PADDLE "T" HANDLE**

Convert your kayak paddle to a canoe style paddle. Easier to store on many models of Hobie Mirage kayaks where paddle use is unnecessary while using the MirageDrive. Plugs into the female half of the kayak paddle.

74049001 PADDLE "T" HANDLE  
74048 2019 "T" HANDLE



**TELESCOPING PADDLE**

Measures just 20" in closed position (45" when fully extended). Lightweight, anodized aluminum shaft corrosion resistant design. Floats too! 6 1/2" wide blade will fit into an 8" hatch opening.

3091 TELESCOPING PADDLE



**3 PC FIBERGLASS PADDLE**

Carry as a spare or emergency paddle. 3 piece easily assembles when needed. Includes carry bag.

P23074075-10 3 PC PADDLE



**PADDLE LEASH**

Secure a paddle to your boats bow eye. Keep the paddle with the boat after a capsiz. By holding the paddle after a capsiz you can also be sure that the boat stays with you and cannot drift away. Web paddle leash is made from hollow webbing and an internal shock cord. Coil leash is elastic plastic coil.

74050001 PADDLE LEASH - WEB 4.5'  
74051001 PADDLE LEASH - COIL



SCAN TO GO TO  
HOBIE PARTS LOOKUP

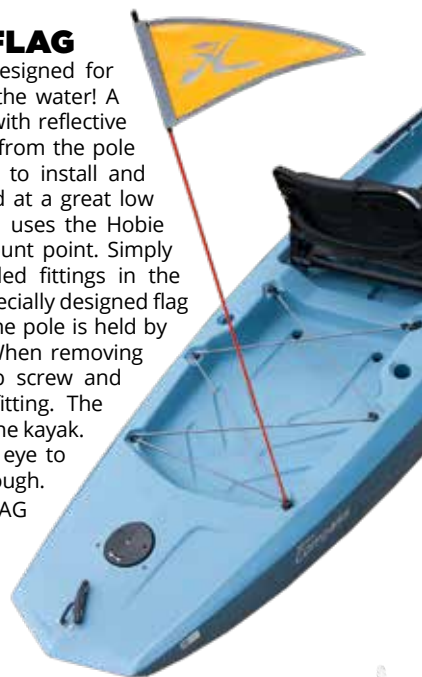


SCAN TO GO TO  
HOBIE SUPPORT PAGES

**HOBIE SAFETY FLAG**

New safety flag specially designed for Hobie kayaks. Be seen on the water! A triangle safety orange flag with reflective piping. The flag stands out from the pole without wind. Simple, easy to install and remove from the kayak and at a great low price! This new flag system uses the Hobie threaded fittings as the mount point. Simply remove one of the threaded fittings in the cargo area and install the specially designed flag holder fitting in its place. The pole is held by a clamping thumb screw. When removing the flag, loosen the thumb screw and pull the pole out of the fitting. The threaded fitting remains in the kayak. The fitting also includes an eye to route the cargo bungee through.

**72020108** HOBIE SAFETY FLAG

**THE VISICARBON PRO™**

The VisiCarbon Pro combines a high visibility light and safety flag with a light weight, low drag, and portable style. Insert foam base into molded-in or Live Well rod holders or flag attachment system provides a secure attachment that allows the flag to be removed in seconds. The 48" long VisiCarbon Pro™ breaks down to 14" long in seconds. The folded unit can be stored inside the nylon flag which doubles as carry bag. (INCLUDES A "T" BOLT FOR TRACK MOUNTING OR ADD 72020051 MightyMount)

**72020040** SAFETY FLAG/LIGHT COMBO

**BILGE - HAND PUMP**

This light weight bilge pump is extra security for long trips on the water. Features super-comfortable, easy-grip rubber over-molded handle and a high-visibility neon yellow stock for extra safety.

**72020032** BILGE - HAND PUMP

**SAFETY PACKAGE**

**72020029** DELUXE KAYAK SAFETY PACKAGE

- 1 **72020010** Hobie Safety Kit
- 1 **72020040** VisiCarbon Safety Flag / Light
- 1 **72020032** Bilge Pump

**HOBIE SAFETY KIT**

This kit has many useful items for added safety when boating. Hobie Gear Bucket with Orange safety lid. Ready access is assured by hanging the safety kit on the inside lip of an 8" Hobie Twist and Seal hatch. Includes a 33 piece first aid kit, water proof flash light, signal mirror, space blanket, whistle, utility tool, waterproof matches, duct tape, gauze bandage, gauze pads, cloth tape (specific items subject to change).

**72020010** HOBIE SAFETY KIT

**HOBIE FIRST AID KIT**

Waterproof 3600 Plano box with essential first aid items. Fits tackle management rack.

**72020078** HOBIE FIRST AID KIT

**HYDROSTAR - SOS DELUXE**

Everything you need for lighting in one compact waterproof package.

**72020003** HYDRO STAR SOS LIGHT

**FEATURES:**

5 light settings; Magnetic base; Suction cup base; Lanyard clip; Integrated safety whistle; Submersible to 50ft

**SPECS / FUNCTION:**

Dimensions: 6in H x 1.25in DIA  
 1 CLICK : 3 LED Light (10LM)  
 2 CLICKS : 3 LED Strobe (15LM)  
 3 CLICKS : 360° Deck Light (Red:6LM/Green 2LM)  
 4 CLICKS : Emergency 1 Watt LED Strobe (65LM)  
 5 SECOND HOLD : SOS Signal (65LM)\*

**SAFETY WHISTLE**

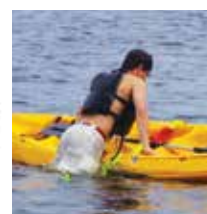
A whistle can save your life! Keep one attached to your PFD in case of overboard emergency. Alert approaching vessels. Alert other boaters or people ashore that you need help.

**MK0053** SAFETY WHISTLE

**RESCUE STEP**

"How do I get back in if I fall out?" The RescueStep features quick and easy installation and operation for vessel re-entry assistance, righting an overturned kayak and can also be used to tow or portage your kayak. Its compact size makes it easy to bring along anywhere you need it.

**72020092** RESCUE STEP KAYAK  
**1266** RESCUE STEP BOAT

**HOBIE PET PFDS**

You can now take your best friend with you safely and in Hobie Style! Added flotation as a swim assist and grab handles, so you can help them back aboard more easily. Adjustable fit, leash attachment, side pockets, grab handles and soft foam undercarriage support. Happy days for dogs!

**FEATURES:**

Tri segmented soft foam design; Foam supported Ripstop-nylon collar; Dual cargo pockets (S, M, L, XL); Dual integrated grab handle design (M, L, XL); Soft foam undercarriage support chassis; Integrated leash attachment

**SIZING:**

	SIZE	WEIGHT	COLLAR	BODY GIRTH	
<b>S9000XS</b>	PET PFD XS MANGO <12#	XS	12 lbs.	8" - 12"	13" - 17"
<b>S9000SM</b>	PET PFD SM MANGO 12-24#	S	12 - 24 lbs.	10" - 14"	15" - 21"
<b>S9000MD</b>	PET PFD MD MANGO 24-60#	M	24 - 60 lbs.	13" - 19"	18" - 30"
<b>S9000LG</b>	PET PFD LG MANGO 60-90#	L	60 - 90 lbs.	18" - 26"	24" - 36"
<b>S9000XL</b>	PET PFD XL MANGO >90#	XL	90 - 120 lbs.	22" - 30"	30" - 42"

**MIRAGE SEAT PAD INFLATABLE "I-COMFORT"**

Replaces the older style standard foam seat pad for the Hobie Mirage. Adjust the cushion by adding or releasing air pressure. Not designed for use on Hobie Mirage Inflatable kayaks. Can be used in combination (stacked) on a seat cushion.

**72020028** MIRAGE SEAT PAD - INFLATABLE "i-Comfort"



Includes knob, attachment bolt and cap

**STEERING KNOB ASSY**

More comfortable hand position - better leverage. Fits all 2011+ Mirage model steering handles and all Tandem Islands. Kit includes attachment screw, knob and cap.

**88991355** KNOB ASSY

**HOOKLESS MAP POCKET**

Molded material resists hooking. Replaces standard mesh pockets. Frame and fasteners included.

**78565001** MAP POCKET HOOKLESS w/FRAME

**78561001** HOOKLESS POCKET ONLY

**HOBIE SNIPS**

Retractable line cutters.

**72020103** SNIPS

**FISH GRIP**

Handy fish grip in a glow-in-the-dark plastic material.

**72020019** FISH GRIP

**HOBIE FISHING HAWG TROUGH**

Holds the big ones safely for measuring and photos before release. (30in / 76cm)

**72020067** HAWG TROUGH IMPERIAL

**72020167** HAWG TROUGH METRIC

**ACCESSORY PACKAGES**

**72020024** MIRAGE PERFORMANCE PACKAGE

- 1 **72066001** V2 ST TURBO FIN KIT
- 1 **81397001** LARGE TWIST AND STOW RUDDER



**72020029** DELUXE KAYAK SAFETY PACKAGE

- 1 **72020010** HOBIE SAFETY KIT
- 1 **72020040** VISICARBON SAFETY FLAG / LIGHT
- 1 **72020032** BILGE PUMP



## CLEAN AND PROTECT!

### HOBIE MULTI-LUBE

A planet-safe lubricant recommended for lubricating MirageDrives and many other uses. Environmentally friendly for in-the-water applications. Hobie Multi-Lube offers excellent lubrication, is an anti corrosive coating, great for cleaning and many other uses... use on nearly anything that squeaks, rusts, corrodes or binds up; MirageDrives, rudder drums, cams, fishing reels and more. The 1 oz size is perfect for getting the lubricant into tight spaces by using the needle applicator. The 4 oz size has a spray applicator for coating chains and larger surfaces, shafts and bulky parts. Every Hobie owner should have Hobie Multi-Lube. Be nice to our planet, keep MirageDrives and other components running smoothly and lasting longer without polluting our waterways. Use it for all shop, home and sport lubrication needs.



5120 HOBIE MULTI LUBE 1 OZ  
5121 HOBIE MULTI LUBE 4 OZ

### SILICONE SPRAY

Dry silicone spray for cleats, hatch O-rings. (Image above may not represent current packaging or volume)

5107 SILICONE 7oz.



### HOBIE UV PROTECTANT

Protect and rejuvenate fiberglass, polyethylene, vinyl and PVC materials. Wipe on, the protectant absorbs into the material and leaves a UV protective layer. Reduce the loss of essential oils and deflect the sun's harmful UV rays. 12 oz.

70060001 HOBIE UV PROTECTANT



### MAGICA RUST REMOVER

Easily clean rust stains from fiberglass, plastic surfaces, metal parts or fabrics. Although metal parts are made from high quality stainless steel, machining tools often leave carbon particles imbedded in the metal surfaces. This material can bleed a rust stain onto other surfaces. Magica simply dissolves the rust away.

1603 MAGICA GEL 8oz. BOTTLE



### TEAR-AID

Each TEAR-AID® repair patch is made from an exceptionally tough, matte finish, abrasion resistant, elastomer that resists puncture and tearing. It is combined with an aggressive adhesive formulated for high bond strength to a variety of surfaces such as canvas, leather, rubber, nylon, most plastics, paints, aluminum, stainless steel, fiberglass, polyurethane, polyethylene, polypropylene, vinyl and vinyl coated. TEAR-AID® Type A and TEAR-AID® Type B provide a simple and easy method of patching holes and tears, as well as an excellent protective film solution.

72020030 TEAR-AID / TYPE A (POLY)  
72020031 TEAR-AID / TYPE B (VINYL)



#### EACH PATCH KIT CONTAINS:

(1) 3" x 12" TEAR-AID® Patch that cuts with scissors to any size, (1) 7/8" x 7/8" Patch, (1) 1 3/8" x 1 3/8" Patch, (1) 12" Reinforcement Filament for repairing tears at edges, (2) Alcohol Prep Pads, (1) Illustrated Instructions and a Product Repair List.

### SAIL REPAIR TAPE

Don't get caught with your sails down! Extra strong, Rip Stop white tape for temporary on-the-spot repairs to torn sails, canvas, even foul weather gear. Keep a roll in your toolbox for emergencies.

1662 2" x 25' Roll



### CLEAR SILICONE SEALER

Make sure your hulls are watertight! Clear Silicone seals leaks around all thru-hull fittings.

376 1.5oz. TUBE



### AQUASEAL MIRAZYME ODOR ELIMINATOR

There's nothing quite like the odor of damp gear left in your car trunk for a couple of days. With one application eliminate those odors from booties, wet-suits, dry-suits and the rest of your gear. A 100% biodegradable product made from a blend of 10 highly specialized, light activated microbial elements. Works by penetrating into pores of fabric, rubber and even hard surfaces to eliminate odor naturally. (Packaging may vary)

7003 8oz.



### BARNACLE PLUS BLUETOOTH SPEAKER

#### Features:

- Waterproof
- Floats
- Stores up to 1,000 songs / 4 GB internal memory
- Industrial suction cup base
- Sand / Dust proof
- Water pressure proof charging port
- Built-in mic & caller ID



Hobie® and Speaqua have partnered up to bring a portable, waterproof speaker into the accessories lineup! This floating, tennis ball sized speaker is both convenient and functional with Bluetooth connectivity, call-taking capability and built-in 4 GB memory for holding up to 1,000 songs. It mounts to any smooth surface using an industrial suction cup base, and is perfect for the kayak, SUP or Eclipse.

72026103 SPEAKER BLUE TOOTH AND 4GB



### LICENSE FRAMES "HOBIE" OR "HOBIE FISHING"

3043 Chrome Hobie  
3045 Hobie Fishing

### STAINLESS WATER BOTTLE

71995001 20oz



### HOBIE KEY FLOAT

Don't lose those keys! Keep a few bucks dry, inside the small compartment, while on the water.

72010 Each



### HOBIE CROAKIES

Keep your glasses in place! Made from wetsuit fabric that will not stretch or lose shape when wet. Remains secure whether worn normally, raised or lowered around your neck.

1553CR Each



### BOOK - FROM PENGUIN WINGS TO BOAT FLIPPERS

Great book about taking ideas from nature to use in products. All about the Hobie Mirage pedal system. Written by Toney Allman from the series "Imitating Nature".

615 Each

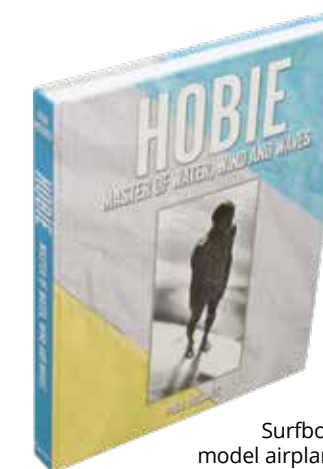


### HOBIE-MASTER OF WATER, WIND, AND WAVES

The man, Hobie, known by just one name worldwide, has an epic life story. This 12" x 9" hardcover book shows how it all came to be, and more, in 17 chapters with 300 pages, 120,000 words of text and 585 photographs and illustrations. The book is available through Hobie Cat and Hobie Kayak dealers worldwide.

Surfboards, catamarans and boats, RC model airplanes (the Hobie Hawk), and a whole lot more "toys"—as Hobie himself describes his amazing life's work— will all be celebrated in the biography of the man who defined a lifestyle in surfing and sailing.

87369116 BOOK, HOBIE-MASTER OF WATER, WIND, AND WAVES



### STICKERS See Parts List for Pricing



12451050 / 12451051 24"



36601000 6"  
36601011 6"  
13001001 12 5/8"



12453023 CHROME BLACK



12453024 12" BLACK  
12453025 12" WHITE



12453021 4 1/2"



12453011 4 1/2"



12453031 4 1/2"



79545001 2 3/4"

**BOW SHACKLE - THREADED PIN**

Part #	Pin Dia.	Width	Length	Max Ld#
SP150061	1/4"	9/16"	15/16"	4400



**"D" SHACKLES - THREADED PIN**

Part #	Pin Dia.	Width	Length	Max Ld#
SP150041	5/32"	3/8"	5/8"	1100
SP150051	3/16"	1/2"	11/16"	2640
SP150052	3/16"	5/8"	15/16"	2640



**SAFETY SHACKLE WITH 1/2 TURN CAPTIVE PIN**

Part #	Pin Dia.	Width	Length	Max Ld#
SP185205	3/16"	1/2"	1"	2640
SP180005	3/16"	5/8"	1 7/16"	2640
SP180006	1/4"	7/8"	1 5/8"	4400



**FAST SHACKLE**

Avibank ball lock pin permanently wired to the shackle so it won't drop in the drink when released.  
3062 EACH



**LOW STRETCH LINE**

Pre-stretched line with superior fatigue and abrasion resistance. Sold per foot.  
RH112WHT 1/12" WHITE  
RH018WHT 1/8" WHITE  
RH316WHT 3/16" WHITE  
RH014WHT 1/4" WHITE  
RH516WHT 5/16" WHITE  
RH038WHT 3/8" WHITE



**SPUN DACRON**

Soft matte finish rope. Runs well thru blocks and fairleads, has good abrasion resistance, is spliceable and easy to hold with wet hands. Available in white, black, red, blue. This rope is not designed for winching. Sold per foot. Specify color choice. (White, Blue, Red or Black xxx = color)  
RM014WHT 1/4" WHITE  
RM014XXX 1/4" COLOR  
RM516WHT 5/16" WHITE  
RM516XXX 5/16" COLOR  
RM038WHT 3/8" WHITE  
RM038XXX 3/8" COLOR  
RM716WHT 7/16" WHITE  
RM716XXX 7/16" COLOR

**SPECTRA**

Rudder Steering and Up / Down control line.  
81023001 SPECTRA 1.75 mm

**SHOCKCORD SNAP HOOKS**

Easy to install shockcord snap hook. No tools required. Reusable!  
2101 HOOK-1/4"  
2102 HOOK-5/16"



**HARKEN BULLET BLOCKS**

Medium size blocks that work well for control lines. Accepts up to 5/16" line, 2000 pound load, 1 1/8" diameter sheave.

- H082 SINGLE
- H092 CHEEK
- H166 SINGLE w/ SWIVEL
- H167 SINGLE w/ SWIVEL & BECKET



**HARKEN MICRO BLOCKS**

Small blocks with high load capabilities, but light weight. Accepts up to 1/4" line, 1200 pound load, 7/8" diameter sheave.

- H224 SINGLE
- H225 SINGLE w/ BECKET
- H233 CHEEK

**REMOVABLE SHEAVE BLOCK**

Simply remove the clevis pin that acts as the sheave axle, slide the sheave out of the frame, place the sheave through the fitting and reinstall the sheave.  
3103 EACH



**SUPER STRETCH SHOCKCORD**

This midnight-black shockcord has double the stretch of ordinary cord. If you've been getting your shockcord from the hardware store, you're in for a treat. The durable black cover is woven around an extra-flexible rubber core.

- RS018BLK 1/8"
- RS316BLK 3/16"
- RS014BLK 1/4"
- RS516BLK 5/16"
- RS038BLK 3/8"
- RS716BLK 7/16"



- 53180011 3/8" HOG RING
- 21180000 1/2" HOG RING

**CLEATS**

**HARKEN CAMMATIC CLEAT**

Rounded jaws assure quick cleating/release action and smoother teeth mean longer life for your lines.

- H471 MICRO CLEAT, CARBO JAW1/8" TO 1/4" LINE



**HARKEN WEDGES**

Fairleads and eyestraps designed specifically for each Cammatics, the wedges put the Cammatic on a 15 degree angle for ease of cleating or releasing. The fairleads are molded into a replacement base. The eyestraps is designed to be held in place over the cam by the mounting screws.

- H297 WEDGE KIT
- H284 WIRE FAIRLEAD
- H281 EYE STRAP

**GERBER NEEDLENOSE MULTI-PLIER**

Needlenose pliers, wire cutter, crimper, standard/ metric scale, lanyard ring, cross head screwdriver, bottle/can opener, serrated sheeps foot blade, large, medium, and small flathead screwdrivers, file, drop point blade. Stainless steel construction with a limited lifetime warranty!

- 83102 GERBER TOOL



**HOG RING PLIERS**

Cinch rings, hog rings, upholsterers clamp. They are all the same and these are the pliers to crimp them with. Use them on shockcord.

- 83104 EACH



**KAYAK RIGGING KIT - HARDWARE**

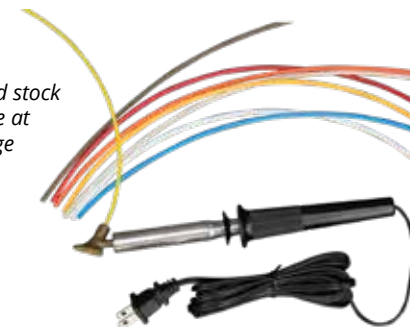
Set of fasteners for rigging a kayak for fishing accessories. Includes stainless bolts, nuts, washers, well nuts and more. All packed in a handy Plano box. You can purchase any of the items separately. Purchase the kit and have it all, or pick and choose your own based on your individual needs. All included parts are listed below as well as many more in the numerical section of our catalog.

- 72020300 KAYAK RIGGING KIT



Item	Qty	Part	Item
1	1	72020311	PLANO BOX - KAYAK RIG KIT
2	12	8031191	SCREW 1/4-20 X 1-1/4 PHMS
3	12	8030111	SCREW 10-32 X 1 PHMS-P SS
4	12	8030251	SCREW 10-32 X 1" FHMS
5	12	8030161	SCREW 10-32x1 1/2 RHMS-P SS
6	18	8080701	WASHER 1/4 X 1 SS HP
7	24	8080731	WASHER #10 FNDR SS
8	12	8050111	NUT 1/4-20 HX NYLOCK
9	24	8050201	NUT 10-32 NYLOCK LOPRO
10	12	8050221	NUT (WELL NUT) 10-32 x1
11	8	71110001	PAD EYE-BLK NYLON-3/8"
12	18	81029	LINE HANGER
13	8	78510001	BUNGEE HOOK

Extra rod stock available at no charge



**KC WELDER PRO WITH HOBIE COLOR ROD STOCK**

200 Watt element, flat tip and a 3/16" hole in tip for rod insertion. Includes a selection of Hobie color welding rod. Fix holes and cracks or customize polyethylene products. Insert the rod into the tip and place against the product to be welded. The tip heats the plastic surface and the rod. As the materials melt, move the tip along the repair area while pushing the rod into the tip to fill the repair area with new plastic material. Plug small holes after moving accessories. Rebuild keels after excessive wear from dragging.  
72097001 KC WELDER PRO

**STAINLESS STEEL POCKET KNIFE**

DELUXE - Marlin spike, knife blade, shackle tool, and screwdriver. 4.0 oz.  
1551 DELUXE



**TECH TIP!**

"WELL NUT" FASTENERS are tubular rubber fittings with an imbedded brass nut in the base. These are similar to a molly screw commonly used in sheet rock. They expand within the structure and give you a virtual backing nut and washer in an area that is inaccessible. Well nuts can be used for mounting many accessories to kayaks. Simply drill a hole as a net-fit dimension for the well nut. Insert the nut and position the hardware to be fastened. Insert and thread in the screw. Tighten until very snug. The brass nut is drawn up against the inside surface of the kayak which expands the rubber to a dimension that is too large to pull through the hole.





Our mission remains true to the values set forth by Hobie Alter many years ago: build high quality, high functioning polarized sunglasses that will make getting on the water more fun.

## LIFETIME WARRANTY

Hobie Polarized sunglasses are warranted to the original registered purchaser against defects in materials and workmanship for the LIFETIME of the sunglass.



**CLEARER.  
SHARPER.  
MORE PRECISE.**

## POLARIZATION TECHNOLOGY

### HOW HOBIE LENSES WORK



Looking into the ocean without Hobie Polarized Lens



Looking into the ocean with Hobie Polarized Lens

## HOBIE POLARIZED LENS COLORS



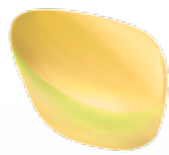
### HOBIE GREY

Blending green and smoke, this color tint works across any outdoor activity. Hobie Grey lenses are recommended for use in moderate to bright conditions, where minimal contrast enhancement is necessary.



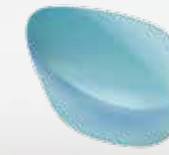
### HOBIE COPPER

Hobie Copper lenses enhance color contrast and provide extremely high resolution. Recommended for use in bright and overcast conditions, Hobie Copper allows for heightened perception to colors.



### HOBIE SIGHTMASTER

Designed specifically for serious sight fishing. The Sightmaster lens allows you to see the contrast between fish and rocks below the surface of the water. Recommended for low-light, overcast or hazy conditions (not recommended for driving).



### HOBIE COBALT BLUE MIRROR

Cuts blue light to protect your eyes while deep sea fishing. Recommended for extremely bright light conditions. Available with a gray base lens tint.



### HOBIE SEA GREEN MIRROR

Providing enhanced color contrast and glare reduction while lightening shadowy areas. Recommended for everyday use but especially useful for conditions with varying light environments and overcast days. Available with a copper base lens tint.

## NEW HOBIE FLOATING SERIES

FEATURING MOJO WITH HYDRO 360° LENSES

### HOBIE TPX® FLOATING FRAME

Our specialized TPX® frame material is significantly lighter than standard sunglasses, providing extra buoyancy with impact on water. Highly durable and heat-resistant, these frames ensure comfort for long-term wear in any environment.



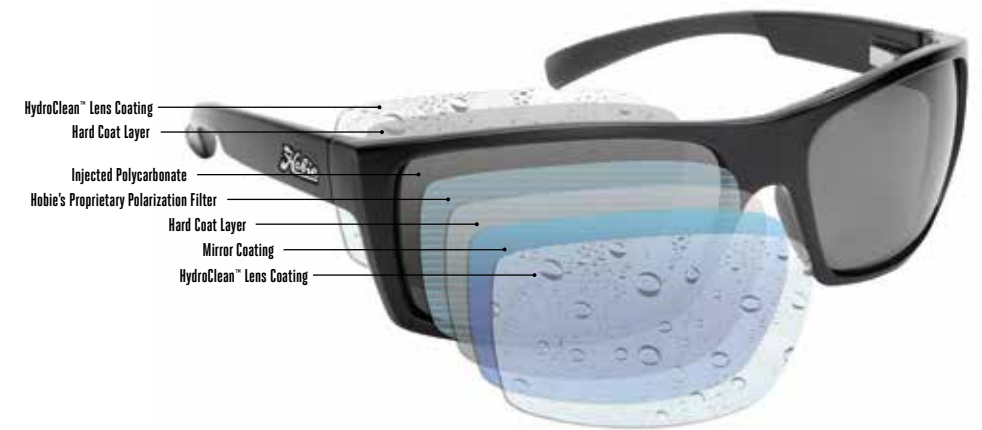
## LENS TECHNOLOGY

EASY TO CLEAN, SCRATCH RESISTANT, AND HYDROPHOBIC | 100% UV PROTECTION | LIFETIME WARRANTY

### SPORT COLLECTION

## HYDRO 360° PC POLARIZED PROTECTION

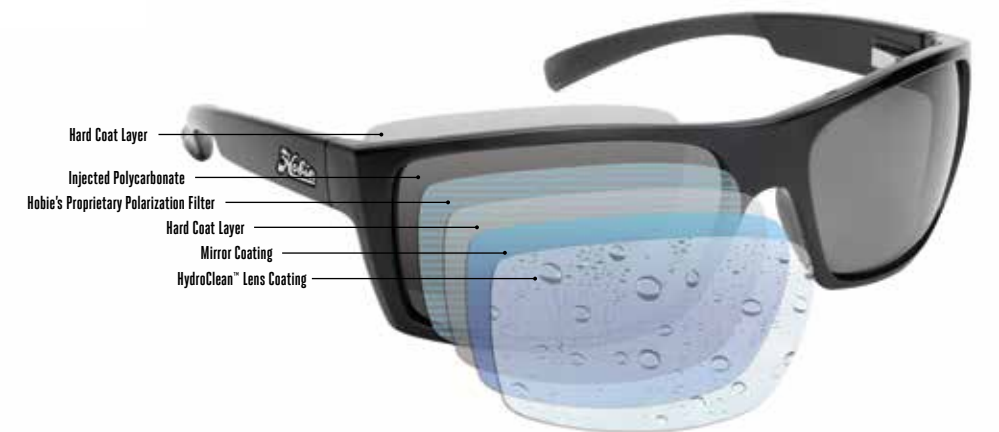
The lightweight Injected Polycarbonate HydroClean™ Polarized lenses offer superior optical clarity and 360° of protection through dual-coated layers that repel water, prevent sweat and sunscreen from building up, and are easy to clean.



### MOTION COLLECTION

## HYDROCLEAN™ POLARIZED LENS TECHNOLOGY

The lightweight Injected Polycarbonate HydroClean™ Polarized lenses are for active sports as well as everyday wear. Each lens is comprised of 100% polarized injected polycarbonate: the lightest lens material offered that is virtually shatterproof with hard-coatings for scratch resistance.



## FRAME TECHNOLOGY



STYLE SHOWN: BAJA

\*TECHNOLOGY VARIES PER COLLECTION AND STYLE

**BAJA-010108**  
SATIN BLACK FRAME  
GREY POLORIZED LENS



**CRUZ-010168**  
SATIN BLACK FRAME  
GREY / COBOLT PC LENS



**WOODY-282808**  
SHINY LEOPARD  
TORTISE GREY PC LENS



**BROAD-949468**  
SHINY GOLD FRAME  
GREY / COBALT MIR



**WOODY-94PCP**  
SHINY TORTOISE FRAME  
COPPER POLARIZED PC LENS



**6506X**  
Men's Black T-Shirt  
Classic Diamond



**6507X**  
Men's Grey L/S  
T-Shirt  
Hobie Script



**6519X**  
Fishing Char/  
Lime S/S



**6502X**  
Men's Cream T-Shirt  
Hobie California Logo



**5059**  
Water  
Hat, Tan



**5042**  
Lifeguard,  
Straw

# Apparel, Eyewear & Accessories For Men & Women



**5033SM  
/5033LXL**  
Patch,  
Fitted



**5046**  
Red  
Redfish,  
Snap



**5047**  
Bass, Snap



**6523X**  
Baja Stripe Charcoal  
PO Hoodie



**6521X**  
Unisex Sky Blu  
PO Hoodie  
Script Logo



**6514X**  
Unisex Burnt Orange Zip Hoodie  
California Logo

**6000**  
Beach Towel,  
Orange

**6001**  
Beach Towel,  
Lime

**6002**  
Beach Towel,  
Yellow

**6003**  
Beach Towel,  
Aqua



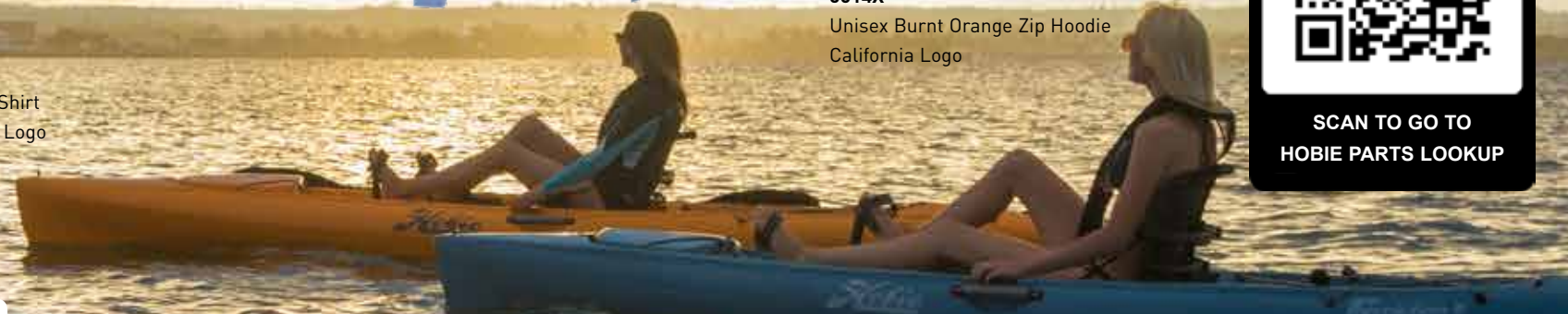
**72026103**  
Speaqua Bluetooth  
Speaker

**OFFICIAL GEAR  
FOR LIFE ON THE WATER** [hobie.com](http://hobie.com)



SCAN TO GO TO  
HOBIE PARTS LOOKUP

View the complete selection of Apparel, Eyewear and Accessories on [hobie.com](http://hobie.com)



**HOBIE SUPPORT / ONLINE SUPPORT - FAQs - FORUMS**

For technical help, contact your dealer, see the Hobie website support area or visit our Hobie user forums. Our on-line support area and forums include FAQs with many technical and user topics.  
 Hobie Cat Company HOBIE.COM / Hobie Australasia HOBIE.COM.au / Hobie Kayak Europe hobie-kayak.com



SCAN TO GO TO  
HOBIE SUPPORT PAGES

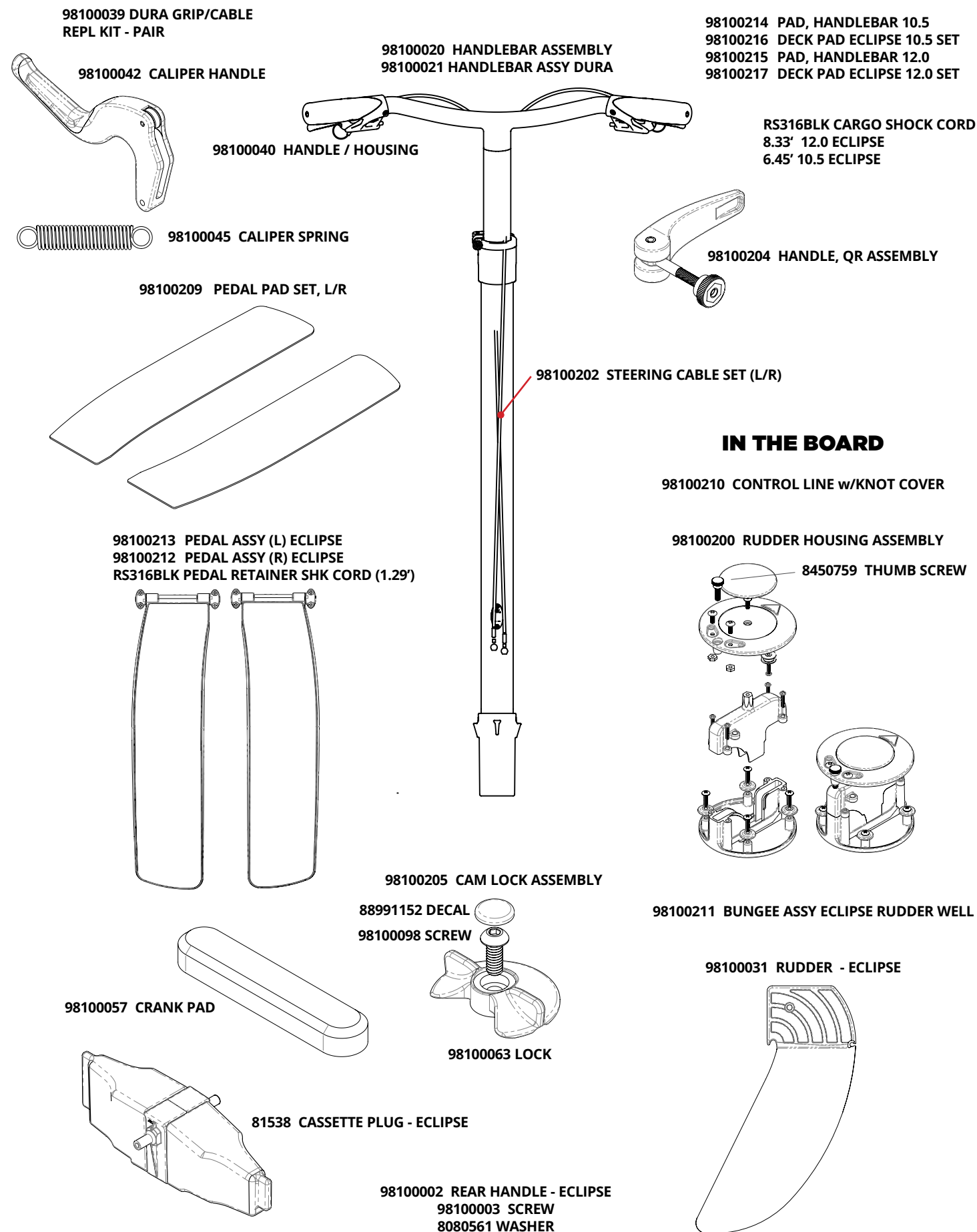
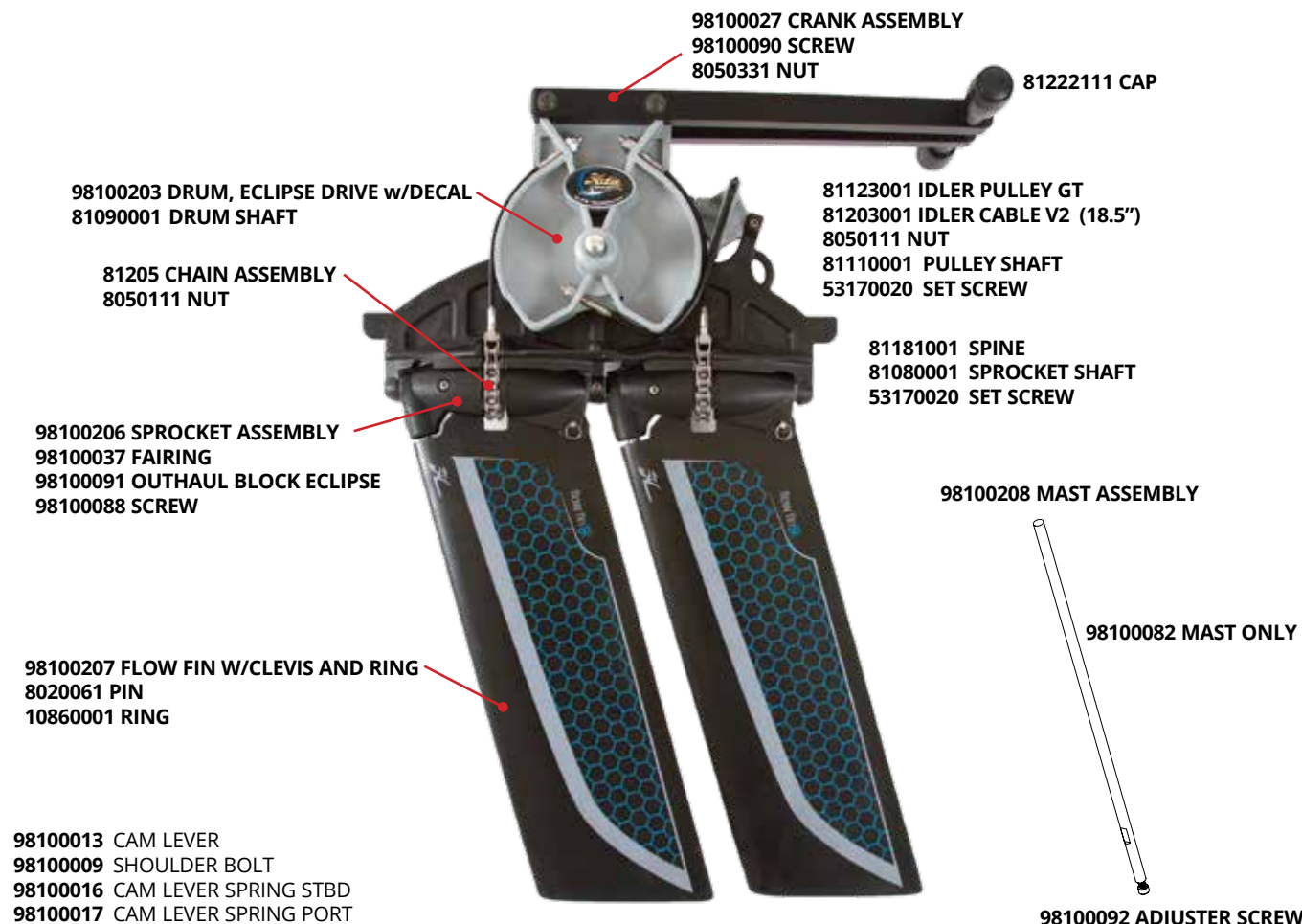
**ONLINE SUPPORT AREA HAS PARTS DIAGRAMS, MANUALS AND RELATED INSTRUCTIONS FOR ALL CURRENT AND DISCONTINUED MODELS**

**ONLINE PARTS SEARCH TOOL WILL WORK WITH A PART NUMBER, PARTIAL NUMBER OR TEXT TO FIND WHAT YOU ARE LOOKING FOR. RESULTS INCLUDE ALL RELATED ITEMS, DESCRIPTIONS AND AN IMAGE**

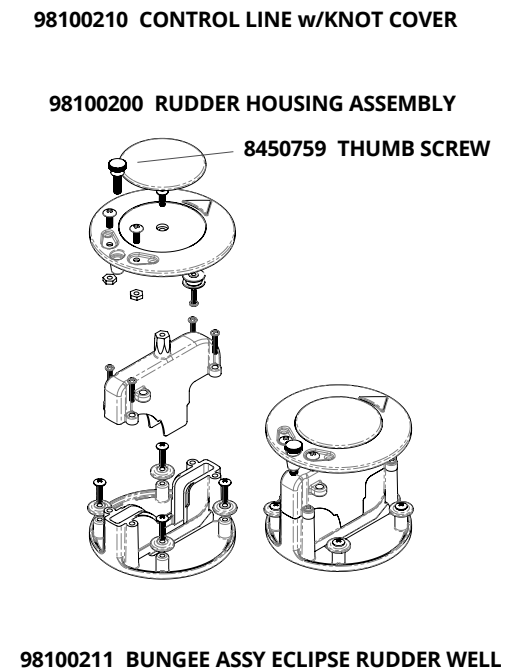


SCAN TO GO TO  
HOBIE PARTS LOOKUP

**98100010 HOBIE ECLIPSE MIRAGEDRIVE**



**IN THE BOARD**



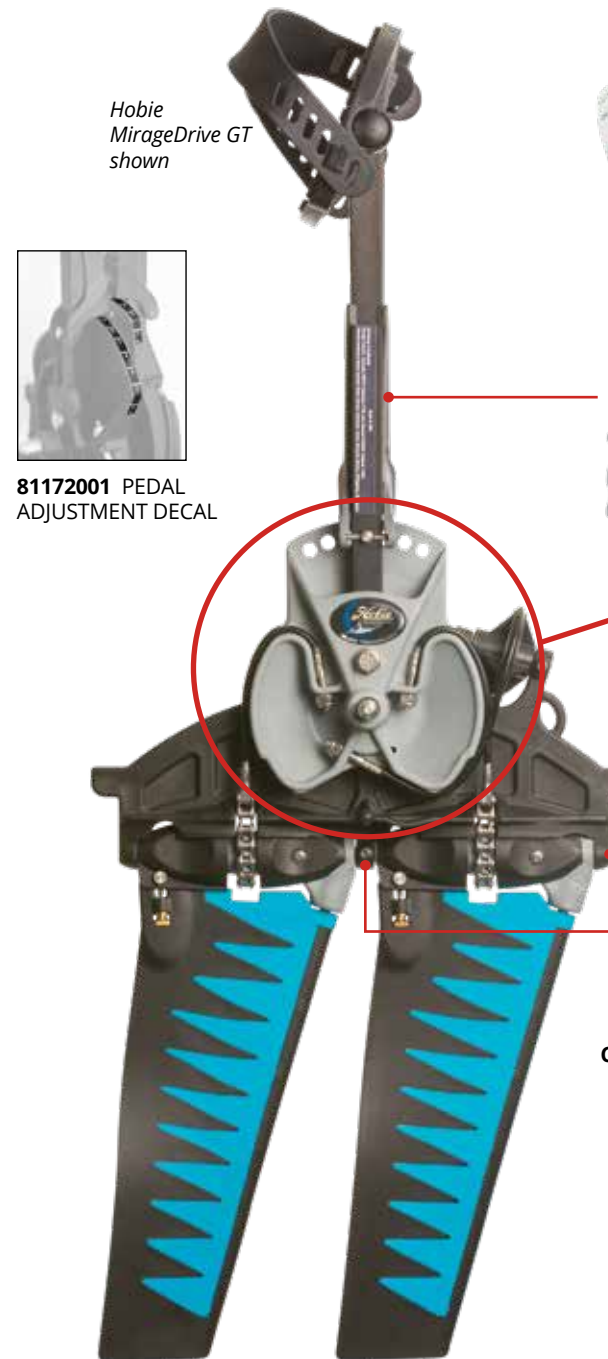
**HOBIE MIRAGEDRIVE "GLIDE TECHNOLOGY"**

- 80010501 MIRAGE DRIVE GT - ST FINS
- 80013501 MIRAGE DRIVE GTi - ST FINS iSeries
- 80012501 MIRAGE DRIVE GTT - ST TURBO FINS
- 80012101 MIRAGE DRIVE GTT PA17 - ST TURBO FINS

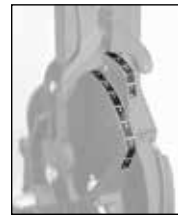
FIND HOBIE MIRAGEDRIVE 180 DIGRAMS AT [HOBIE.COM/SUPPORT](http://HOBIE.COM/SUPPORT)

**TECH TIP!**

**WHAT MAKES A GT DRIVE?** V2 Drums, V2 Chains, GT Idler Pulley, V2 Idler Cable, GT sprockets and V2 (Threaded) masts



Hobie MirageDrive GT shown



81172001 PEDAL ADJUSTMENT DECAL



- 72020034 PEDAL PAD KIT
- 81236002 PEDAL ADJ GRAY ASSY INCLUDES:
  - 81240 PLASTIC HANDLE GRAY
  - 81230001 PIN
  - 8031201 SCREW
  - 81242001 SPRING
  - 8034071 ALLEN WRENCH

- 81224001 PEDAL/CRANK ASSY. GRY (R)
- 81223001 PEDAL/CRANK ASSY. GRY (L)
- 81222011 PEDAL ONLY (R)
- 81221011 PEDAL ONLY (L)
- 81226001 PEDAL STRAP (R)
- 81227001 PEDAL STRAP (L)
- 81222101 CAP - PEDAL CRANK
- 81222111 CAP - PEDAL
- 8050111 NUT
- 8080541 WASHER

- 81055001 SPROCKET GUARD FWD
- 8031451 SCREW
- 81050001 OUTHAUL BLOCK
- 8020041 CLEVIS PIN
- 10860001 LOCK RING

- 81181001 SPINE NEW 2013
- 81080001 SPROCKET SHAFT
- 53170020 SET SCREW

- 81127001 SPROCKET GT THREADED (W/ BEARINGS AND FWD GUARD)
- 81156301 SPROCKET BEARINGS (12)

- 81163001 MAST V2 THREADED
- 81198101 MAST / ST TURBO V2 THREADED
- 8000341 LOC-TITE .5ML

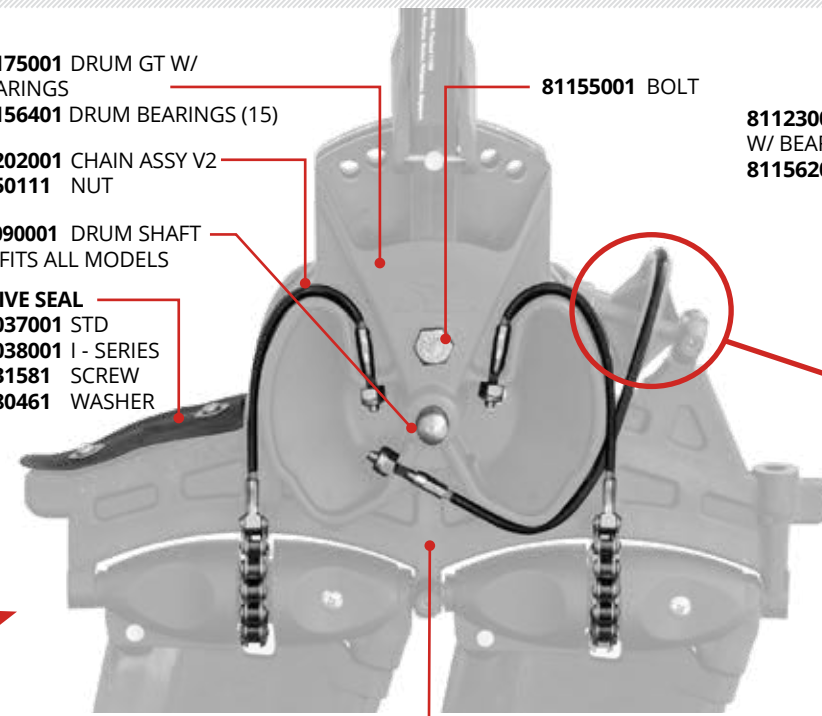


- 81190001 COMFORT FIN
- 81193001 ST FIN (GRY/BLK)
- 81193021 ST FIN (RED/BLK)
- 81193031 ST FIN (BLU/BLK)
- 81192001 ST TURBO FIN (GRY/BLK)
- 81192021 ST TURBO FIN (RED/BLK)
- 81192031 ST TURBO FIN (BLU/BLK)

**UPDATE KIT - GT SPROCKET**  
(2 GT SPROCKETS AND 2 V2 MASTS)  
81129023 GT STANDARD MAST KIT  
81129123 GTT TURBO MAST KIT

**UPDATE KIT - V1 DRUMS/CABLES TO GT**  
(2 GT DRUMS, V2 CHAINS, GT IDLER PULLEY, V2 IDLER CABLE AND NUTS)  
81171002 DRUM UPDATE KIT V1 TO GT

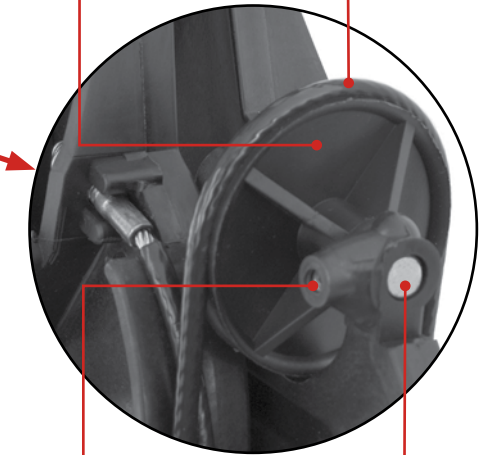
- 81175001 DRUM GT W/ BEARINGS
- 81156401 DRUM BEARINGS (15)
- 81202001 CHAIN ASSY V2
- 8050111 NUT
- 81090001 DRUM SHAFT V2 FITS ALL MODELS
- DRIVE SEAL
  - 81037001 STD
  - 81038001 I - SERIES
  - 8031581 SCREW
  - 8080461 WASHER
- 81155001 BOLT



81095001 DRIVE ALIGNMENT PIN 2012+

**HOBIE MIRAGEDRIVE "V2" / "GT"**

- 81123001 IDLER PULLEY GT W/ BEARINGS
- 81156201 IDLER BEARINGS (12)
- 81203001 IDLER CABLE V2 (17.2")
- 8050111 NUT

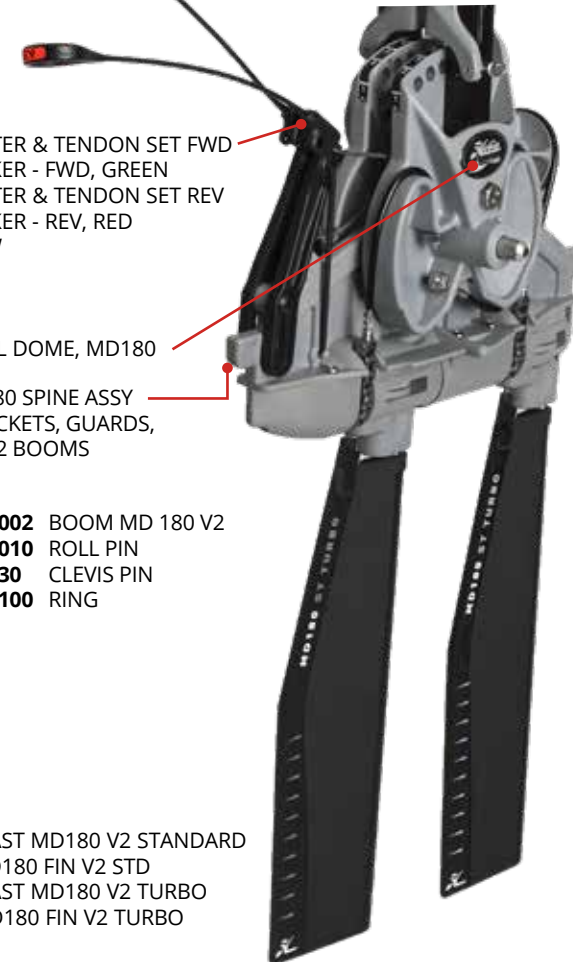


53170020 SET SCREW

81110001 PULLEY SHAFT

**HOBIE MIRAGEDRIVE 180**

- 81189001 MIRAGEDRIVE 180 - ST FINS
- 81189101 MIRAGEDRIVE 180i- ST FINS iSeries
- 81188001 MIRAGEDRIVE 180 - ST TURBO FINS
- 81188101 MIRAGEDRIVE 180 - ST TURBO FINS CAMO



- 81486021 SHIFTER & TENDON SET FWD
- 81000801 STICKER - FWD, GREEN
- 81491021 SHIFTER & TENDON SET REV
- 81000901 STICKER - REV, RED
- 8031190 SCREW

- 72545001 DECAL DOME, MD180

- 81527002 MD 180 SPINE ASSY INCLUDES SPROCKETS, GUARDS, SHIFTERS AND V2 BOOMS

- 81503002 BOOM MD 180 V2
- 96610010 ROLL PIN
- 8020030 CLEVIS PIN
- 81503100 RING

- 81528002 MAST MD180 V2 STANDARD
- 81500002 MD180 FIN V2 STD
- 81529002 MAST MD180 V2 TURBO
- 81501002 MD180 FIN V2 TURBO

**TECH TIP!**

**MAINTENANCE AND TUNING** - Maintenance and tuning information for MirageDrives is available on the Hobie Cat website support area. Click the kayak model name then see Care and Maintenance.

Direct link to the support pages for kayaks is here: <http://www.hobie.com/support/>

**HOBIE MIRAGEDRIVE -OLDER-**

Original drive with aluminum spine, stainless sprocket / mast connection is cotter key. Limited parts available.

- 81130001 SPROCKET (STAINLESS)
- 81340001 SPROCKET BUSHING (SS SPKT)
- 8060111 COTTER KEY (MAST / SS SPKT)
- 8020061 CLEVIS PIN
- 10860001 LOCK RING
- 81211001 IDLER CABLE 14 3/4" (SOLID PULLEY)
- 81150001 DRUM BUSHING (ALUM DRUM)
- 81105001 CRANK ARM RIGHT, THREADED

**MIRAGEDRIVE SPARE PARTS KITS**

Spare parts kits include a fin, mast, sprocket, chain and appropriate parts for the drive version. Older drives have sprockets and masts that use a set screw connection. V2 drives use threaded sprockets and masts. All in a handy zippered pouch. Don't waste a day on the water when your MirageDrive could be easily repaired. Available for the standard fin drive or a drive with the ST Turbo fins. Standard kit shown.

- MIRAGEDRIVE GT (THREADED MAST)**
- 80010401 GT ST (Bearing Sprocket)
- 80013401 GT TURBO (Bearing Sprocket)



- 71301001 HATCH SEAL "TRIM-LOC" (TOP MOLDED) 5' REQ
- 71305001 HATCH SEAL LG BULB "TRIM-LOC" (TOP MOLDED) OUTBACK 5'
- 71302001 HULL FLANGE SEAL (PRE 2012 ADV) "TRIM-LOC" (SIDE GLUED) 5' REQ

- 84560001 MAST RECEIVER COVER
- 8031151 SCREW
- 84550001 MAST RECEIVER
- 81450001 HOBIE CHEEK BLOCK

- 72104001 HOOK
- 80012001 PEDAL RETAINER BUNGEE W/ HOOK

- 78560001 MESH STOWAGE POCKET W/FRAME
- 8031501 SCREW

- 78561001 HOOKLESS STOWAGE POCKET
- 78565001 HOOKLESS POCKET W/FRAME
- 8031501 SCREW

**RUDDER - UP / DOWN**

- 8004531 LINE (BLK)
- 81450001 HOBIE CHEEK BLOCK
- 8031065 10-32 x 7/8 SCREW
- 8031069 10-32 X 1-1/4 SCREW (AI)
- 8050211 NUT



- 81408101 HANDLE
- 81406101 HANDLE CAP - UP
- 81407101 HANDLE - DOWN
- 81408001 OLDER HANDLE
- 81407001 OLDER DECAL - DOWN
- 10730031 "PORT" SHOWN
- 10730021 CLEAT STBD
- 10730031 CLEAT PORT
- 8031541 SCREW

**OLDER UP / DOWN**



- 81392001 TWIST AND STOW CONTROL ARM UP/DOWN
- 81380001 OLDER - CONTROL ARM UP/DOWN
- 81375001 SPRING
- 8080691 NYLON WASHER
- 81035011 BOLTED HANDLE AND CONTROL ARM KIT
- 81035001 UP / DOWN HANDLE W/ SET-SCREW

**RUDDER - STEERING**

- STEERING CRANKS**
- 81014001 SPORT/REV 11
  - 81016001 REV 13
  - 81017001 OUTFIT / OB / OASIS
  - 88991281 AI 2011+/TI
  - 810175 2015+ OASIS
  - 88991402 2015+ AI



- STEERING**
- 81013001 STEERING HANDLE
  - 8030126 SCREW
  - 88991152 STICKER
  - 81385001 WASHER
  - 88991235 PIN
  - H071 SPRING
  - 88991355 KNOB ASSY (Handle not included)

CRANKS MAY REQUIRE SIMPLE BEND MODIFICATION FOR USE. MODELS VARY.

**OLDER STEERING**

- 81015001 STEERING HANDLE W/ SET-SCREW
- 81372001 CRANK OLDER AI-OUTFIT
- H071 SPRING
- 8080691 NYLON WASHER

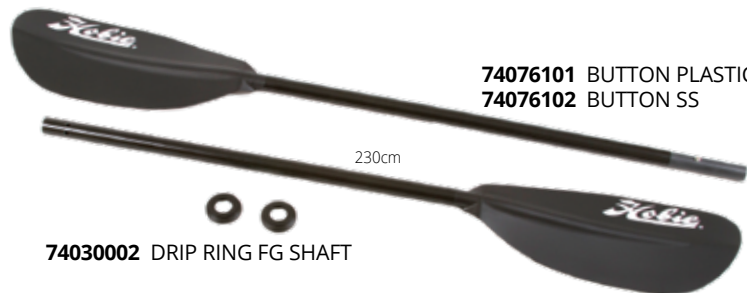


- 71220001 METAL PAD EYE
- 8030071 SCREW

- 76050001 BOW/ STERN HANDLE

- 72542001 DOME STICKER 1.75"

- 74043 PADDLE 2-PIECE FIBER SHAFT 230 CM
- 74044 PADDLE 2-PIECE FIBER SHAFT 260 CM (Only sold as matched set)



- 74076101 BUTTON PLASTIC
- 74076102 BUTTON SS

- 74030002 DRIP RING FG SHAFT

- 74010001 REPLACEMENT BLADE RIGHT
- 74011001 REPLACEMENT BLADE LEFT

- 74049001 PADDLE "T" HANDLE
- 74048 PADDLE "T" HANDLE =>2019



- 38120031 PUSH-IN CAP (White) (Underside Of Hull)

- 10730000 CLEAT
- 8030111 SCREW

- 72103001 SHOCKCORD END
- 8031130 SCREW



- 81535001 MIRAGE CASSETTE PLUG

- 8031570 SCREW / PADDLE KEEPER BUNGEE
- 79538201 WEB PULL TAB

- 81611201 (R)

- 81611101 CLICK AND GO ASSY (L)
- 81611201 CLICK AND GO ASSY (R)

- 8030791 SCREW (REQUIRES 3/16" allen "BALL-END" wrench)

- 81602101 SPRING CLICK AND GO LEFT
- 81602201 SPRING CLICK AND GO RIGHT



- 2008 AND OLDER
- 81410001 CAM LOCK KNOB (BOLTS VARY BY MODEL)

### OLDER MIRAGE SERIES SEAT

2015 MODEL SEATS SHOWN ON PAGE 66

81269001 MIRAGE BACKREST - TWIST LOCK

81268001 MIRAGE BACKREST - EXPAND PEG

81259001 SEAT STRAP w/ HOOK



71190001 WEBBING LIFT HANDLE (PLASTIC END)  
71190000 WEBBING LIFT HANDLE (WEB WITH HOLE)  
8032011 SCREW  
8080571 WASHER

76055001 MIDSHIP HANDLE  
8032011 SCREW

88991061 MIDSHIP HANDLE  
8032011 SCREW

71190031 HANDLE - SIDE CARRY KIT. Designed for compass but can be used anywhere you have internal hull access for hardware installation. Pair of handles and hardware.

41220001 EYELET POST  
8031131 SCREW  
8011231 RIVET

53180011 3/8" HOG RING  
21180000 1/2" HOG RING

78520001 EYELET HOLD DOWN  
8032121 SCREW

RS018BLK 1/8" SHOCKCORD  
RS316BLK 3/16" SHOCKCORD  
RS014BLK 1/4" SHOCKCORD  
79538201 WEB PULL TAB

71110001 PADEYE  
8030031 SCREW  
8012001 RIVET

71120001 LASHING HOOK  
8030031 SCREW

78510001 BUNGEE HOOK  
8031961 SCREW

2101 SHOCKCORD FASTENER, 1/4"

81277001 HANDLE  
81245001 ROLL PIN  
81276001 TWIST-LOC

81276201 TWIST-LOC SEAT KIT (PAIR)  
(Fit Older Seat Into Twist Loc Hull)

81275001 TWIST-LOC RECEIVER\* (IN HULL)  
\*REPLACEMENT PART ONLY - NOT RECOMMENDED AS AN UPGRADE



### OLDER SEAT PEGS

SEAT 81265101 SEATBACK ADJUSTABLE PLUG KIT (PR)

81265001 SEATBACK PLUG  
8031131 SCREW  
8080541 WASHER

### PADDLE SERIES SEAT



72402001 SEATBACK / PADDLE MODELS 2010  
72409001 SEAT STRAP W/HOOK

10092030 PLUG  
(Seat area of Adventure, Kona, Outfitter, Revolution)

72009001 Scupper plug  
(Pursuit/ Maui/ Lanai)

72010 Scupper plug  
(Odyssey)

LOWER SPEED DRAIN ASSEMBLY  
FAIRING, O-RING, SHOCK CORD  
71114001 OUTFITTER-FRT  
71114002 SPORT-OASIS-TI  
71114003 REVO 11 FRONT  
71114004 REVO 13 FRONT  
71114005 REVO 16  
71114006 OASIS FRONT  
---  
71113001 DRAIN PLUG  
8004531 BLK LINE (2')  
71122001 CLEAT - SCREW IN  
81408101 HANDLE  
81401401 HANDLE CAP "DRAIN"  
8030232 SCREW

71230001 ROD HOLDER COVER  
8031131 SCREW

72012001 SCUPPER PLUG  
(QUEST / KONA / OUTBACK)

### HATCHES

71701011 HATCH 6" TWIST AND SEAL  
71701001 HATCH 6" TWIST AND SEAL RETRO KIT  
71321001 FLANGE GASKET  
71701021 LID O-RING  
8031131 SCREW

71702011 HATCH 8" TWIST AND SEAL  
71702001 HATCH 8" TWIST AND SEAL RETRO KIT  
71331001 FLANGE GASKET  
71702021 LID O-RING  
8031131 SCREW

### TECH TIP!

DECK FASTENERS - Customize your boat with the fasteners of your choice... where you want them. The Hobie screw-in fittings can be easily removed and replaced. Add an extra eye where we placed a hook, a cleat hook where a shockcord end is placed... You choose what works best for you. Use tool #71115101

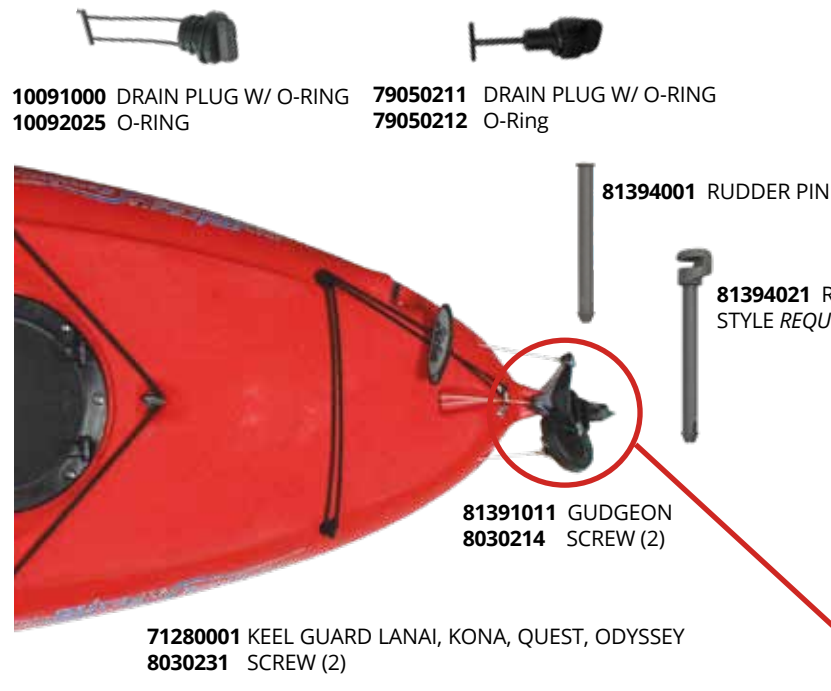




**TECH TIP!**

**MAINTENANCE AND TUNING** - Maintenance and tuning information for Twist and Stow rudder systems is available on the Hobie Cat website support area.  
<http://www.HOBIE.COM/support/history/>

Direct link to the support pages for kayaks is here:  
<http://www.HOBIE.COM/support/products/kayaks/>



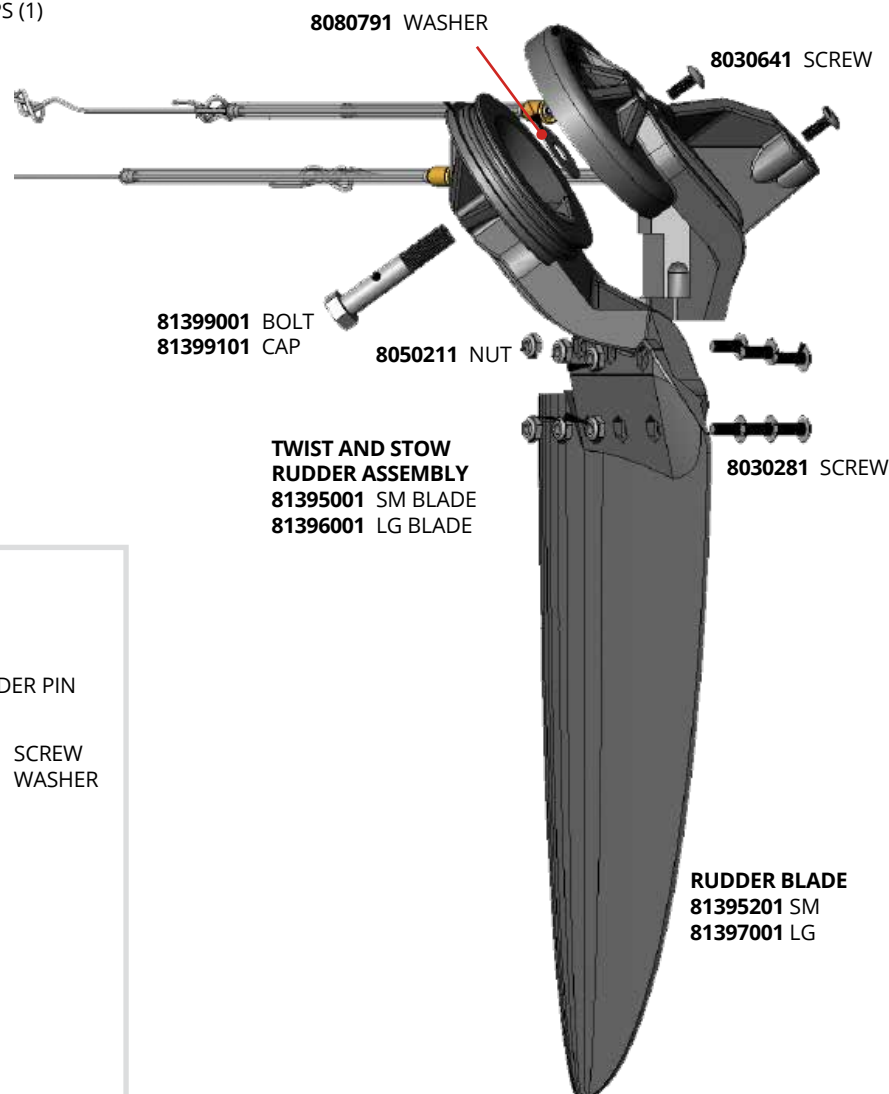
**LINE AND TUBE ASSEMBLY**

- 80025001 LINE CONTROL ASSY. LINE IN TUBE WITH END CAPS (1)
- 80020001 UNIVERSAL LINE REPLACEMENT KIT (SET OF 4 AND ADDITIONAL LINE)



- 81023001 SPECTRA CONTROL LINE
- 8063001 SWEDGE
- 81400001 TUBING
- 81405001 TUBE HOLDER
- 81405101 END CAP
- 81403 "O" RING

**TWIST AND STOW RUDDER**



**EARLY RUDDER PARTS**



**QUEST**

**QUEST TWIST AND STOW RUDDER KIT**

- 78501 QUEST 13
- 78502 QUEST 11

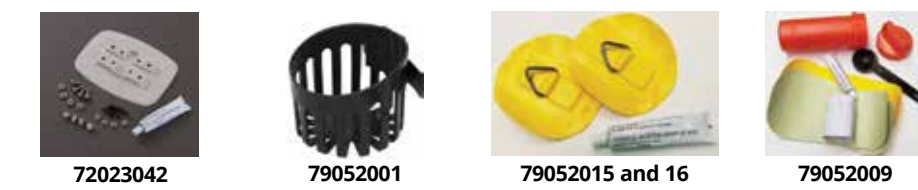


**MIRAGE CLASSIC**

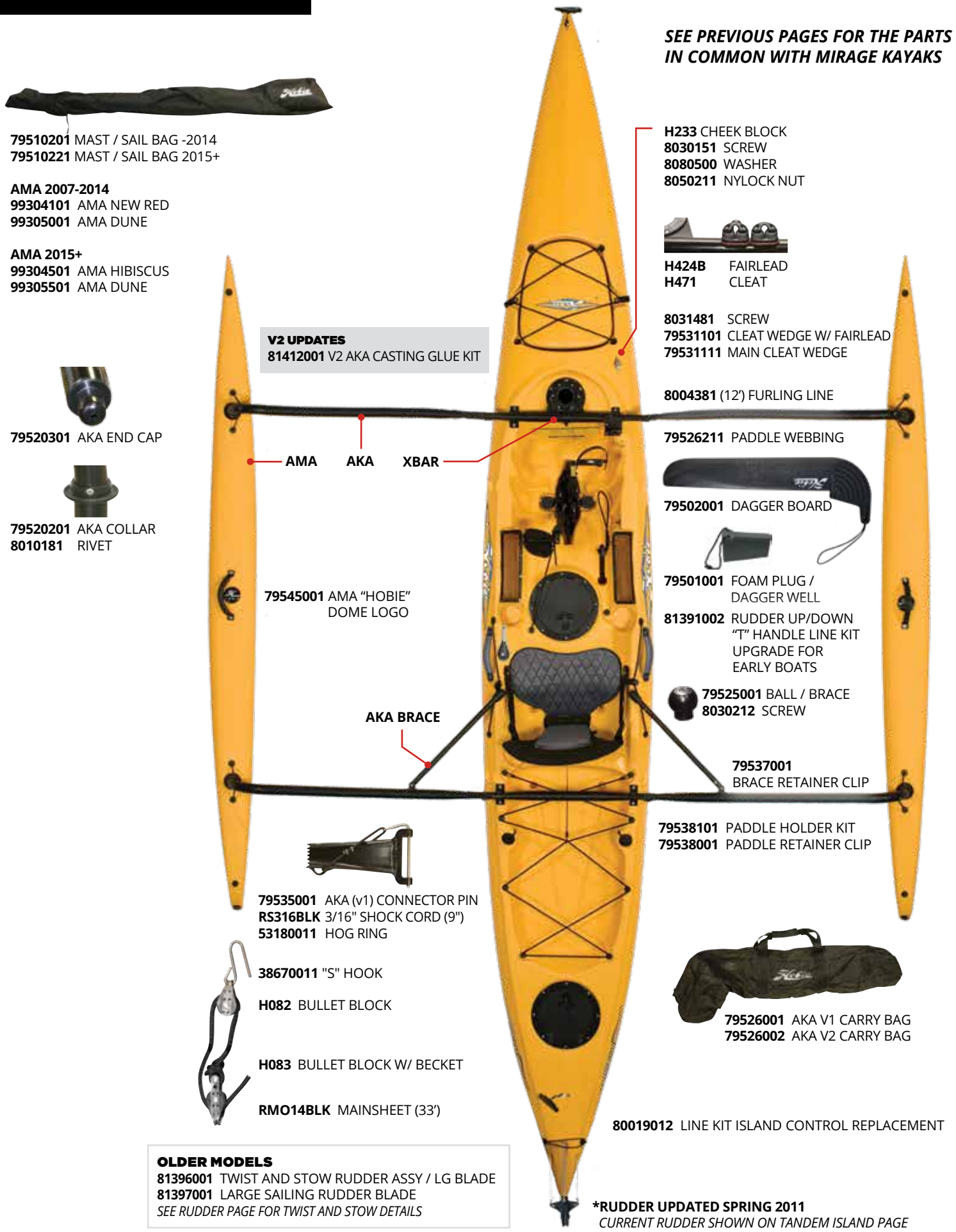


**HOBIE MIRAGE i - SERIES**

- 79050021 CLICK AND GO SPRING OLDER
- 79050011 CLICK AND GO LEVER OLDER
- 98100013 CAM LEVER NEWER
- 98100009 SHOULDER BOLT
- 98100016 CAM LEVER SPRING STBD
- 98100017 CAM LEVER SPRING PORT
- 71702011 HATCH 8" TWIST AND SEAL
- 71331001 FLANGE GASKET
- 71702021 LID O-RING
- 8031130 SCREW
- 79050214 SCUPPER PLUG
- 79052007 SEATBACK / I-SERIES
- 79052017 VALVE ASSY
- 81394001 RUDDER PIN
- 81395201 SMALL RUDDER BLADE
- 81395001 RUDDER ASSY. W/ SM. BLADE
- 76050001 BOW / STERN HANDLE
- 79050211 DRAIN PLUG W/ O-RING
- 80012001 PEDAL RETAINER BUNGEE W/ HOOK
- 87400021 STEERING HANDLE UPGRADE KIT (CT)



- 72023042 RAM BOND-A-BASE  
 For attachment of 1" Ball accessories to Hobie Mirage inflatable kayaks. Includes fasteners and glue.
- 79052006 i - HARDWARE ACCESSORY KIT  
 Includes padeyes, spare cleats and glue. Customize your Hobie inflatable.
- 79052001 i - CUP HOLDER KIT  
 Includes 2 flexible can / cup holders and glue.
- 84507703 i - CUP HOLDER VANTAGE SEAT
- 80045101 i - KAYAK CART "PLUG-IN"
- 79052015 i - TRI RING KIT / SAGE
- 79052016 i - TRI RING KIT / SUNDANCE  
 Includes 2 "Tri" rings mounted on round patches ready for installation. Customize your Hobie inflatable.
- 79052009 i - HULL REPAIR KIT  
 Includes 2 colors of repair vinyl and glue, valve tool and instructions. Repair or customize a Hobie Mirage Inflatable kayak.
- 79052005 i - ELECTRIC INFLATION PUMP  
 Electric pump connects to car 12v outlet. Quickly and easily fill your Hobie inflatable. This is a high volume / low pressure pump. Use the standard pump to bring chambers to full pressure.
- 79052003 i - STANDARD INFLATION PUMP  
 Standard hand pump for Hobie inflatable.
- 79052004 PUMP W/GUAGE
- 79052010 i - 12 TRAVEL BAG
- 79052011 i - 14 TRAVEL BAG
- 79052012 i - 9 TRAVEL BAG



SEE PREVIOUS PAGES FOR THE PARTS IN COMMON WITH MIRAGE KAYAKS

79510201 MAST / SAIL BAG -2014  
79510221 MAST / SAIL BAG 2015+

AMA 2007-2014  
99304101 AMA NEW RED  
99305001 AMA DUNE

AMA 2015+  
99304501 AMA HIBISCUS  
99305501 AMA DUNE

79520301 AKA END CAP

79520201 AKA COLLAR  
8010181 RIVET

V2 UPDATES  
81412001 V2 AKA CASTING GLUE KIT

79545001 AMA "HOBIE" DOME LOGO

79535001 AKA (v1) CONNECTOR PIN  
RS316BLK 3/16" SHOCK CORD (9")  
53180011 HOG RING

38670011 "S" HOOK

H082 BULLET BLOCK

H083 BULLET BLOCK W/ BECKET

RMO14BLK MAINSHEET (33')

OLDER MODELS  
81396001 TWIST AND STOW RUDDER ASSY / LG BLADE  
81397001 LARGE SAILING RUDDER BLADE  
SEE RUDDER PAGE FOR TWIST AND STOW DETAILS

H233 CHEEK BLOCK  
8030151 SCREW  
8080500 WASHER  
8050211 NYLOCK NUT



H424B FAIRLEAD  
H471 CLEAT

8031481 SCREW  
79531101 CLEAT WEDGE W/ FAIRLEAD  
79531111 MAIN CLEAT WEDGE

8004381 (12) FURLING LINE

79526211 PADDLE WEBBING



79502001 DAGGER BOARD

79501001 FOAM PLUG / DAGGER WELL

81391002 RUDDER UP/DOWN "T" HANDLE LINE KIT UPGRADE FOR EARLY BOATS

79525001 BALL / BRACE  
8030212 SCREW

79537001 BRACE RETAINER CLIP

79538101 PADDLE HOLDER KIT  
79538001 PADDLE RETAINER CLIP

79526001 AKA V1 CARRY BAG  
79526002 AKA V2 CARRY BAG

80019012 LINE KIT ISLAND CONTROL REPLACEMENT

\*RUDDER UPDATED SPRING 2011  
CURRENT RUDDER SHOWN ON TANDEM ISLAND PAGE

V1 AKAS & CROSSBARS SHOWN 2011 MODEL YEAR+ = V2

CROSSBAR / AKA / AKA BRACE

AI V1 2007-2010  
8030781 SOC CAP SCREW

79523101 BRACE ASSY AKA AI V1 -22"

AI V2 2011-2014  
79512601 XBAR AI V2 - FWD 2011-2014  
79512701 XBAR AI V2 - REAR 2011-2014

79512301 AKA AI V2 - LT FWD 2011-2014  
79512201 AKA AI V2 - RT FWD 2011-2014  
79512401 AKA AI V2 - LT REAR 2011-2014  
79512501 AKA AI V2 - RT REAR 2011-2014

79523201 BRACE ASSY AKA AI V2 -23"

AI V2 2015-  
79104201 XBAR AI V2 - FWD 2015-  
79104101 XBAR AI V2 - REAR 2015-

79503901 AKA AI V2 - LT FWD 2015-  
79503801 AKA AI V2 - RT FWD 2015-  
79503701 AKA AI V2 - LT REAR 2015-  
79503601 AKA AI V2 - RT REAR 2015-

79523301 BRACE ASSY AKA AI V2 2015-21"

AI V2 CROSSBAR PARTS  
79510721 V2 XBAR CLAMP TOP  
79510731 V2 XBAR CLAMP BOTTOM  
8032088 SCREW  
8080561 WASHER

79532201 EDGE GUARD  
8030335 SCREW (MAST RECEIVER ATTACH)  
8050111 NUT (MAST RECEIVER ATTACH)  
8090900 CAPPLUG



79524001 CAP / AKA BRACE LOCK  
79523001 SOCKET / AKA BRACE LOCK  
81242001 SPRING / AKA BRACE LOCK  
8030781 SOC CAP SCREW  
8032081 SHEAR BOLT (DRILLED)  
8052081 NUT  
20860000 RING  
88991221 BRACE CONNECTOR  
8020381 CLEVIS PIN  
20860000 SPLIT RING  
37661091 LANYARD

88991311 MAST CAP  
79511021 MAST CAP (OLDER SWIVEL)

79510011 '08-14 MAST ISLAND (2 PC)  
79510015 '15+ MAST ISLAND (2 PC)

2007-2014 SAILS  
79516001 SAIL PAPAYA/TURQ/WHT - BREEZE  
79515001 SAIL RED/GRAY/WHT - SMOKE  
79546001 SAIL ADV WHT/GRAY/TURQ - AZUL

2015- SAILS  
795465 SAIL ADV WHT/GRAY/TURQ - AZUL  
795475 SAIL RED/GRAY/WHT - SMOKE  
795485 SAIL PAPAYA/TURQ/WHT - BREEZE

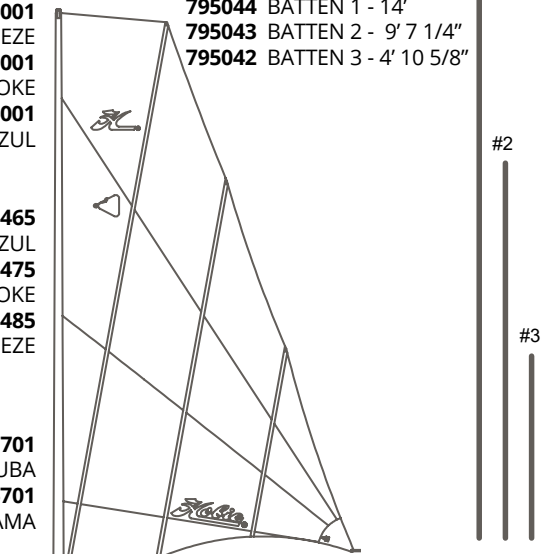
2017-2018 SAILS  
79547701 SAIL ADV V2 ARUBA  
79546701 SAIL ADV ISL V2 BAHAMA

79512001 FURLER DRUM AI -2014  
79512002 FURLER DRUM AI 2015+  
79511101 MAST BASE / HOLE TYPE

'07 BASE  
COLLAR KIT  
79511001 MAST BASE / '07 PIN TYPE  
79510101 MAST BASE COLLAR KIT

91011001 BATTEN CAP 3/16"  
88999519 BATTEN CAP 3/8"  
RH112WHT BATTEN TIE LINE (REQ 18" PER)

2007-2014 (3/16")  
91051011 BATTEN 9' 2"  
91041011 BATTEN 7' 8.5"  
2015- (1&2 3/16" 3 3/8")  
795044 BATTEN 1 - 14'  
795043 BATTEN 2 - 9' 7 1/4"  
795042 BATTEN 3 - 4' 10 5/8"



22080011 BATTEN LUFF CAP SET

79533001 MAST BEARING PLATE (REQ 2)  
8031231 SCREW  
8050801 NUT  
90610111 BEARINGS (EA / REQ 24)  
90610112 BEARINGS SET OF 12

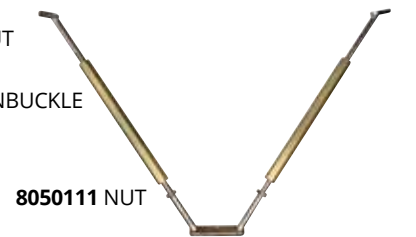
79532001 V1 MAST RETAINER SPRING

79514101 MAST RECEIVER  
8030261 MOUNTING SCREW (6)  
8080211 WASHER (6)  
71320001 GASKET  
79513001 BACKUP RING  
79551001 LEVER / LATCH  
8031151 SCREW  
79555001 SPRING

79552001 MAST STEP PIN PLATE  
8032011 MAST STEP PLATE SCREW

79517001 V-FRAME STRUT

79519001 V-FRAME TURNBUCKLE



8050111 NUT

79518001 V-FRAME BASE  
88991215 SET SCREW 1/4-20  
88991216 SET SCREW 5/16-18

**RUDDER PARTS**



88991094 GUDGEON (3 HOLE)

**CURRENT**

8030214 1/4-20 SCREW (2)  
8030355 5/16-24 SCREW (1) LOWER

**OLDER (2 HOLE GUDGEON)**

8030214 1/4-20 SCREW (1 ) (OR 2\*)  
8030346 1/4-20 STUD-NUT HEAD PH17-4 (1) LOWER  
\*OLDEST, LOWER LATER REPLACED BY  
8030346 STUD (STRONGER FOR 2 HOLE)

88991101 RUDDER PIN  
20860000 RING  
88991092 RUDDER HOUSING  
88991093 PULLEY  
88991091 BLADE  
88991099 RUDDER UP STRAP ASSY  
82420001 RUDDER COVER AI / TI

2015-LATER MODEL INFORMATION ONLINE - SUPPORT

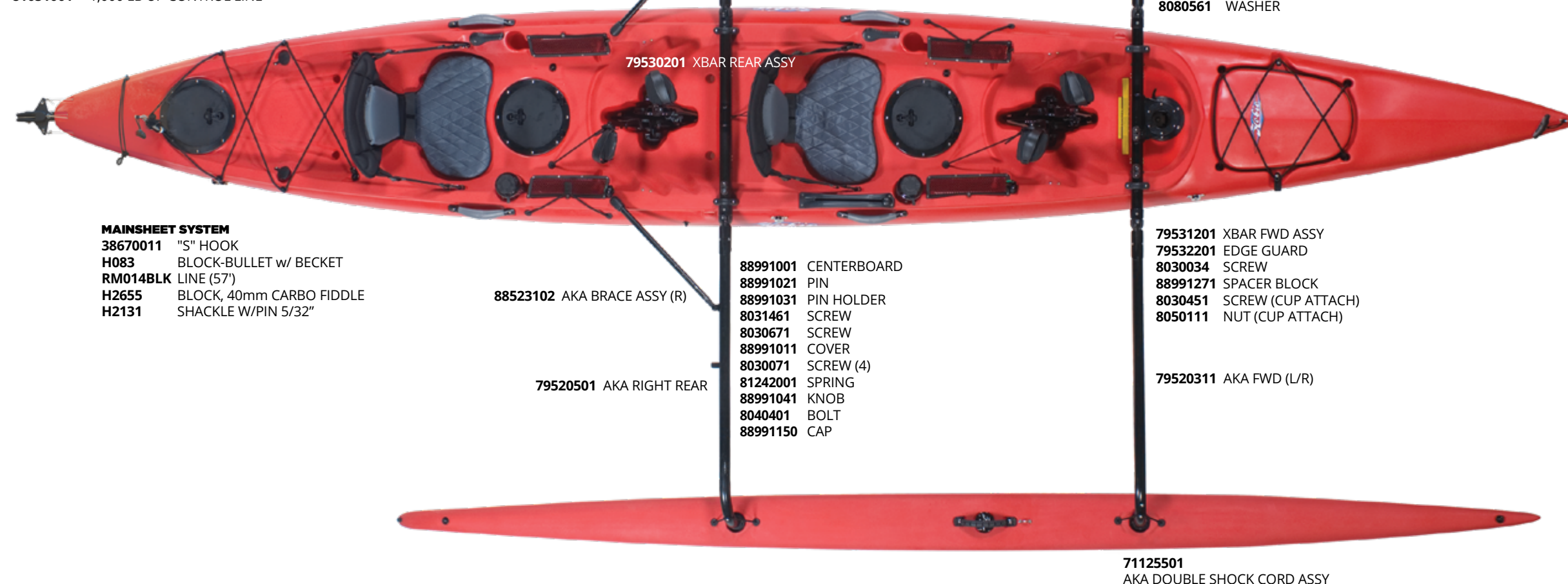


79510202 MAST / SAIL BAG

88991303 AMA PAPAYA  
88991314 AMA NEW RED  
88991305 AMA DUNE  
AMAS AVAILABLE WITH 2015+  
BOW SHAPE ONLY

**RUDDER REPLACEMENT SPRING 2011 (88991098)**  
CONTACT DEALER FOR REPLACEMENT RUDDER DETAILS  
IF YOU ARE USING TWIST AND STOW SYSTEM

81051001 1,000 LB UP CONTROL LINE



79520401 AKA LEFT REAR

88523101 AKA BRACE ASSY (L)

79530201 XBAR REAR ASSY

88523102 AKA BRACE ASSY (R)

79520501 AKA RIGHT REAR

88991061 HULL LIFT HANDLE  
8032011 SCREW

88991301 STEERING HANDLE  
88991235 ROLL PIN  
8030125 SCREW  
88991151 STICKER  
88991355 (2011) STEER KNOB ASSY

88991001 CENTERBOARD  
88991021 PIN  
88991031 PIN HOLDER  
8031461 SCREW  
8030671 SCREW  
88991011 COVER  
8030071 SCREW (4)  
81242001 SPRING  
88991041 KNOB  
8040401 BOLT  
88991150 CAP

79520311 AKA FWD (L/R)

79520604 SPRING HOOK AKA LOCK KIT (4)  
79520602 AKA SPRING HOOK  
79522202 AKA LOCK BEARING  
8031401 SCREW

79510721 XBAR CLAMP TOP  
79510731 XBAR CLAMP BOTTOM  
8032088 SCREW  
8080561 WASHER

79531201 XBAR FWD ASSY  
79532201 EDGE GUARD  
8030034 SCREW  
88991271 SPACER BLOCK  
8030451 SCREW (CUP ATTACH)  
8050111 NUT (CUP ATTACH)

79520311 AKA FWD (L/R)

71125501 AKA DOUBLE SHOCK CORD ASSY

88991311 MAST CAP

88991121 MAST TANDEM ISLAND (2 PC)

88995511 SAIL DUNE  
88995512 SAIL SMOKE  
88995513 SAIL BREEZE  
88998507 SAIL BAHAMA  
88998527 SAIL ARUBA

88998521 BATTEN #1 (3/8" 186" W/ CAP)  
88999519 BATTEN CAP 3/8"  
88998522 BATTEN #2 (3/16" 42 1/2" W/ CAP)  
88998523 BATTEN #3 (3/16" 39 1/2" W/ CAP)  
91011001 BATTEN CAP 3/16"



BATTEN LEECH CAP

RH112WHT BATTEN TIE LINE (REQ 18" PER)

22080011 BATTEN LUFF PROTECTOR CAP SET

88991071 FURLER DRUM TI



79533001 MAST BEARING PLATE (REQ 2)  
8031231 SCREW  
8050801 NUT  
90610111 BEARINGS (EA / REQ 24)  
90610112 BEARINGS SET OF 12

8004381 (12') FURLING LINE

79511101 MAST BASE

79514101 MAST RECEIVER  
8030261 MOUNTING SCREW  
8080211 WASHER

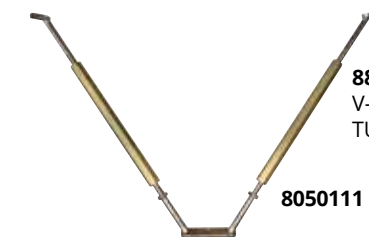


71320001 GASKET

79513001 BACKUP RING

8032011 MAST STEP PLATE SCREW

88991191 V-FRAME STRUT



88991211 V-FRAME TURNBUCKLE

8050111 NUT

88991201 V-FRAME BASE

88991215 SET SCREW

- ROD HOLDER STORAGE**  
 84500911 3 ROD HOLDER ASSY LEFT  
 84500921 3 ROD HOLDER ASSY RIGHT

- 84502001 MOUNTING BOARD, RT  
 84502101 MOUNTING BOARD, LT  
 8030341 SCREW  
 8032085 SCREW  
 8050111 NUT

- 84502401 FLOOR MAT RT  
 84502501 FLOOR MAT LT-BLK



81536001 CASSETTE WELL PLUG - PA/OUTBACK

74090001 PADDLE 260 CM

- 84500601 COVER PLT, RDR SYSTEM  
 8030151 SCREW (4)  
 84500801 TUBE RESTRICTOR (2)

- 84500501 STEERING DRUM (PIN TYPE OLDER)  
 8060141 COTTER KEY (REPL ROLL PIN)

- 84500502 STEERING DRUM (SCREW TYPE)  
 8030126 SCREW  
 88991235 PIN  
 8030231 SCREW (LINE ADJUST)  
 8050201 NUT (LINE ADJUST)

- 84500402 RDR MOUNT, UNDER HULL (SCREW TYPE)

- 84500201 RUDDER HOUSING, UNDER HULL

- 84502301 SISTER SCREW, PRO RDR ASSY  
 8031490 SCREW SCREW 8-32 X 1/2 FHMS-P

- 84504001 TORSION SPRING, RUDDER

- 84500101 RUDDER BLADE, PRO A  
 84612001 RUDDER BLADE, LARGE PRO A



- 84504501 HANDLE - BOW  
 8030361 SCREW SOC CAP  
 79545001 "HOBIE" DOME LOGO

- 71305001 HATCH SEAL  
 LARGE BULB (7.25')



84501901 HATCH LINER FWD - PRO ANGLER

- 72020311 PLANO BOX - SMALL YELLOW  
 72020321 PLANO BOX - MEDIUM BLUE  
 72020331 PLANO BOX - LARGE RED



- 84505001 STORAGE BUCKET ASSY  
 (INCLUDES COMPARTMENT WITH DIVIDERS)  
 84505101 STORAGE BUCKET COMPARTMENT  
 84505201 REPLACEMENT COMPARTMENT DIVIDERS  
 (SET OF 7)  
 71301001 TRIM LOC TOP MOLDED 3.5'

- 8004531 CONTROL LINE (9')  
 81408101 HANDLE  
 81406101 INSERT - UP  
 84502201 CUTTING BRD, CNTR, BLACK  
 8030071 SCREW  
 8050111 NUT  
 84502211 BUNGEE AND FITTING ASSY

- 84500001 SEAT ASSEMBLY - PRO ANGLER  
 84500011 LUMBAR SUPPORT PAD  
 84502901 KNOB, SEAT FRAME FRONT  
 8031811 STUD (FWD)  
 8042151 BOLT SHOULDER (REAR)  
 84500021 SEAT STRAP ASSY (ONE SIDE)  
 8011231 RIVET  
 84500031 STAINLESS REPLACEMENT BUCKLE

- 84504101 UNIVERSAL SIDE HANDLE ASSY  
 84504401 HANDLE END FITTING  
 8031781 SCREW SOC CAP  
 84504301 DECAL, RULER

- 71996001 BOTTLE/CAN HOLDER  
 74035001 FOLDING PADDLE CLIP  
 71702011 HATCH 8" TWIST AND SEAL

- 84504201 TUBE, STERN HANDLE  
 84504401 HANDLE END FITTING  
 8031781 SCREW SOC CAP

- 72013001 SKID GUARD, PRO  
 8030641 SCREW  
 10091000 DRAIN PLUG

- 80019011 LINE KIT PRO ANGLER  
 CONTROL REPLACEMENT

- 84501211 2 ROD HOLDER ASSY PA12 LT  
 84501221 2 ROD HOLDER ASSY PA12 RT

- 84502001 MOUNTING BOARD RT  
 84502101 MOUNTING BOARD LT  
 84502011 MOUNT BOARD, 2015+, LT BLK  
 84502111 MOUNT BOARD, 2015+, RT BLK  
 84502121 DELUXE BOARD KIT 2018  
 8030341 MOUNTING BOARD SCREWS

- 86506601 FLOOR MAT PA12/14 LT  
 86506701 FLOOR MAT PA12/14 RT  
 810007 SEAT MAT PA12/14 CAMO  
 810006 FLOOR MAT PA12/14 CAMO RT  
 810005 FLOOR MAT PA12/14 CAMO LT

**H-RAIL PARTS**

- 84615 STEERING HANDLE MOUNT CAP  
 84616 MOUNT CAP  
 84617 TUBE MOUNT  
 846143 SIDE TUBE, H-RAIL PA12/14  
 84610 TUBE, REAR HANDLE PA12/14  
 84611001 TUBE, REAR HANDLE PA17  
 84504401 HANDLE END FITTING

- 88991301 STEERING HANDLE  
 86505401 SECONDARY STEERING HANDLE  
 88991235 ROLL PIN  
 8030125 SCREW  
 88991151 STICKER  
 84619001 STEERING RISER  
 8032211 SCREW, STEERING RISER  
 84506021 DUAL STEERING RISER KIT - PA  
 86505001 STEERING CRANK  
 86505101 STEERING CRANK SUPPORT  
 8031065 SCREWS  
 8050211 NUTS  
 81244001 STEERING SPRING  
 86505121 DUAL STEERING LINE ASSEMBLY  
 80019011 LINE REPLACEMENT KIT  
 84507881 BOA RUDDER TENSION REPL

- 84507601 CHAIR FOOT MOUNT  
 CHAIR FOOT MOUNT SCREWS

- 84508001 VANTAGE KICKSTAND ASSEMBLY  
 8032241 KICKSTAND MOUNTING SCREW  
 84500821 KICKSTAND WEBBING ASSEMBLY  
 8030151 WEBBING SCREWS  
 72020216 GUARDIAN REPLACEMENT PARTS KIT  
 86505601 LOWRANCE READY COVER PLATE  
 8030501 COVER PLATE SCREWS (2017 8030232)  
 86506001 LOWRANCE ADAPTER  
 86506101 LOWRANCE STAR MOUNT ADAPTER  
 84505901 HUMMINBIRD ADAP KIT  
 86506201 TRANSDUCER SUPPORT CLIP  
 86509501 SCREW  
 8050211 NUT

- 86505611 THRU HULL PLUG  
 (INCLUDES PLUG, NUT AND O-RING)  
 86505701 RUBBER ADAPTER PLUGS

- 86505621 THRU HULL WIRING KIT  
 (INCLUDES 2 PLUG, ADAP TREE)



86505613 3 WAY PLUG THRU HULL KIT  
 (NOT SHOWN)

- 84504501 HANDLE BOW  
 8030361 SCREW SOC CAP

- 79545001 "HOBIE" DOME LOGO

- 84507771 ANCHOR TROLLEY INSERT CAPS

- 41220001 EYELET POST  
 8010131 RIVET

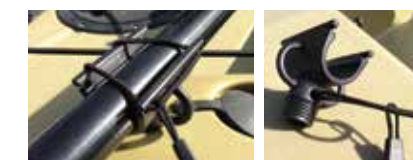
- 84501201 HATCH LINER, PA12  
 71707004 PRO A HATCH LID SEAL KIT  
 71305001 HATCH SEAL LARGE BULB  
 PA12 - 5.16' / PA14 - 7.25'

- 71707001 RECTANGULAR HATCH TWIST AND SEAL  
 71707002 FLANGE GASKET  
 8032121 SCREWS (14)  
 71708001 TACKLE MANAGEMENT RACK  
 8004531 TACKLE MANAGEMENT LINE (14")  
 72020321 PLANO BOX - MEDIUM BLUE  
 72020331 PLANO BOX - LARGE RED  
 71709001 BUCKET, HOBIE RECTANG HATCH



- 81408101 HANDLE  
 81401101 CAP, RUDDER  
 81401001 CAP, SEAT  
 81401201 CAP, SKEG  
 81401401 CAP, DRAIN  
 8004531 CONTROL LINE (9')  
 84501541 CLEAT REPLACEMENT KIT  
 84507721 UNDER SEAT PAD  
 84501231 UNDER SEAT TACKLE BOX WEBBING ASSY  
 8030151 SCREWS

- 84504601 PA12 SIDE CARRY HANDLE  
 84504901 DECAL RULER PA12  
 71996001 BOTTLE/ CAN HOLDER



- 71119001 PADDLE CLIP PA12  
 71702011 HATCH 8" TWIST AND SEAL

- 72013001 SKID GUARD, PRO  
 8030641 SCREW  
 10091000 DRAIN PLUG

- 84504801 TUBE STERN HANDLE, BLUE GREY  
 84504401 HANDLE END FITTING  
 8031781 SCREW SOC CAP



**84507501 VANTAGE ST (PA12 & 14)**

84507501 VANTAGE SEAT

84507521 BACK FRAME ASSEMBLY  
84507801 REPLACEMENT FABRIC KIT

84507581 BOA LINE ASSEMBLY  
84507611 TRIANGLE RING

84507531 BOTTOM FRAME ASSEMBLY  
84507541 ARMREST FRAME ASSEMBLY

84508201 PIVOT BOLT  
80503701 ACORN NUT  
84507761 INNER SPACER  
84507791 OUTER SPACER

40590001 LOCKING KEY  
RS316BLK BUNGEE 6" CL

84507861 FABRIC PROTECTOR COVER WITH PADEYE  
84507851 FABRIC PROTECTOR COVER  
8030671 SCREWS FOR FABRIC PROTECTOR



84507551 BACK CONTROL LINE  
84507561 BOTTOM CONTROL LINE

84507711 ARM REST PAD PACK

84507571 CHAIR FEET  
8010181 RIVETS

**86507501 VANTAGE XT (PA17)**

For Vantage XT support issues, parts diagrams, videos on function, see HOBIE.COM/support



**84507825 VANTAGE CTW (2019 OUTBACK)**

**84507821 VANTAGE CT (2015 MIRAGE MODELS)**

**84507701 VANTAGE CT (ISERIES MODELS)**

For Vantage CT support issues, parts diagrams, videos on function, see HOBIE.COM/support

845081 BOA ADJUSTER

865140 SCREW  
8032089 CTW SCREW

865092 MESH SEAT BACK

865126 MESH SEAT BOTTOM

865102 WEB HANDLE

865118 GEAR ASSY FRONT UP/DOWN  
777008 CTW GEAR ASSY FRONT UP/DOWN

84507822 VANTAGE CT SEAT CLIP UPGRADE

**84507412 COMPASS SEAT**



SCAN TO GO TO  
HOBIE PARTS LOOKUP

**LIVWELL PARTS**

72021001 BATTERY  
72021002 BATTERY CHARGER  
72021003 SWITCH  
72021004 INTAKE TUBE ASSY  
72021051 XL INTAKE TUBE ASSY  
72021005 STRAP SET  
72021006 BATTERY LID  
72021007 PUMP CONNECTOR FEMALE  
72021008 PUMP CONNECTOR MALE

72021009 DOWNSPOUT FITTING W/BK RING  
72021010 INTAKE 90 DEGREE  
72020015 ROD HOLDER - LIVWELL  
72021020 DOWNSPOUT TUBE  
72021021 TERMINAL COVER  
72021022 ATTWOOD PUMP  
72021023 7" INTAKE TUBE (PRO A)  
72021025 ELEC CONNECTOR REPL SET  
79050211 DRAIN PLUG

OS-OVER SIZED, HZ-HAZMAT, TR-TRUCK = Additional handling charges apply

Part	Description	OS	Part	Description	OS
334	AIR FLOW TELS, RED / GREEN	-	65111	SCRIPT OATH PO HOODIE S	-
370	SHOCK CORD BALL TIES	-	65112	SCRIPT OATH PO HOODIE M	-
376	SILICON RTV 100% 3 OZ.	-	65113	SCRIPT OATH PO HOODIE L	-
615	BOOK, PENGUIN BOAT FLIPPERS	-	65114	SCRIPT OATH PO HOODIE XL	-
1266	RESCUE STEP - BOAT	-	65115	SCRIPT OATH PO HOODIE XXL	-
1551	KNIFE, DLX STAINLESS	-	65121	SCRIPT BUORH PO HOODIE S	-
1603	MAGICA RUST REMOVER GEL 8 OZ B	-	65122	SCRIPT BUORH PO HOODIE M	-
1662	TAPE, SAIL REPAIR 2"X 25' ROLL	-	65123	SCRIPT BUORH PO HOODIE L	-
1665	REPAIR KIT, SAIL	-	65124	SCRIPT BUORH PO HOODIE XL	-
2082	SCALE - DOWN HAUL / FISH	-	65125	SCRIPT BUORH PO HOODIE XXL	-
2101	SHOCK CORD HOOK 1/4" - HOBIE	-	65141	CALIF BUORH ZIP HOODIE S	-
2102	SHOCK CORD FASTENER (SCH) 5/16	-	65142	CALIF BUORH ZIP HOODIE M	-
3043	LICENSE FRAME - CHROME "HOBIE"	-	65143	CALIF BUORH ZIP HOODIE L	-
3045	LICENSE FRAME - HOBIE FISHING	-	65144	CALIF BUORH ZIP HOODIE XL	-
3062	SHACKLE, FAST	-	65145	CALIF BUORH ZIP HOODIE XXL	-
3091	PADDLE, TELESCOPING 20"-39"	-	65151	CALIF OATH ZIP HOODIE S	-
3103	BLOCK, MINI W/AXLE	-	65152	CALIF OATH ZIP HOODIE M	-
5040	HAT, HOBIE CLASSIC SURF NAVY	-	65153	CALIF OATH ZIP HOODIE L	-
5041	HAT, HOBIE CLASSIC DIAMOND NAV	-	65154	CALIF OATH ZIP HOODIE XL	-
5042	HAT, HOBIE LIFE GUARD	-	65155	CALIF OATH ZIP HOODIE XXL	-
5045	HAT, HOBIE CAMO REDFISH	-	65192	FISHING CHAR/LIME S/S M	-
5057	BEANIE/HAT, HOBIE GREY	-	65193	FISHING CHAR/LIME S/S L	-
5058	HAT, HOBIE WATER-OLIVE	-	65194	FISHING CHAR/LIME S/S XL	-
5059	HAT, HOBIE WATER-TAN	-	65195	FISHING CHAR/LIME S/S XXL	-
5069	HOBIE OLIVE SCRIPT HAT	-	65202	FISHING R BLUE/WHT S/S M	-
5071	HOBIE CORAL DISCOVER HAT	-	65203	FISHING R BLUE/WHT S/S L	-
5107	SILICONE SPRAY 7oz	-	65204	FISHING R BLUE/WHT S/S XL	-
5120	HOBIE MULTI LUBE 1 OZ	-	65205	FISHING R BLUE/WHT S/S XXL	-
5121	HOBIE MULTI LUBE 4 OZ	-	65211	UNISEX SKY BLU PO HOODIE S	-
6000	HOBIE BEACH TOWEL-ORANGE 35x60	-	65212	UNISEX SKY BLU PO HOODIE M	-
6001	HOBIE BEACH TOWEL-LIME 35x60	-	65213	UNISEX SKY BLU PO HOODIE L	-
6002	HOBIE BEACH TOWEL-YELLOW 35x60	-	65214	UNISEX SKY BLU PO HOODIE XL	-
6003	HOBIE BEACH TOWEL-AQUA 35x60	-	65215	UNISEX SKY BLU PO HOODIE XXL	-
7003	MIRA ZYME 10 oz ODOR ELIMINATO	-	65231	BAJA STRIPE CHAR PO HOODIE S	-
7904	VELCRO ONE WRAP 1" BLACK	-	65232	BAJA STRIPE CHAR PO HOODIE M	-
20501	HAIRPIN COTTER 5/16" 302 SS	-	65233	BAJA STRIPE CHAR PO HOODIE L	-
65012	CALIF BLK MENS S/S T M	-	65234	BAJA STRIPE CHAR PO HOODIE XL	-
65013	CALIF BLK MENS S/S T L	-	65235	BAJA STRIPE CHAR PO HOODIE XXL	-
65014	CALIF BLK MENS S/S T XL	-	72010	KEY FLOAT/SCUPPER PLUG	-
65015	CALIF BLK MENS S/S T XXL	-	72035	QUICK STRAP SOFT RACK-24.0"	-
65022	CALIF CRM MENS S/S T M	-	72040	QUICK STRAP RACK W/TIE DN	-
65023	CALIF CRM MENS S/S T L	-	72041	MULTI STRAP SYSTEM	-
65024	CALIF CRM MENS S/S T XL	-	72044	PADS AERO BAR - 24"	-
65025	CALIF CRM MENS S/S T XXL	-	72045	PADS ROOF RACK - 24"	-
65031	DIAMOND WHT MENS S/S T S	-	72046	PADS ROOF RACK - 36"	-
65032	DIAMOND WHT MENS S/S T M	-	72049	PADS AERO BAR - 36"	-
65033	DIAMOND WHT MENS S/S T L	-	72050	KAYAK COVER / 9-12' 6"	-
65034	DIAMOND WHT MENS S/S T XL	-	72051	KAYAK COVER / 12-15'	-
65035	DIAMOND WHT MENS S/S T XXL	-	72052	KAYAK COVER / 14-16'	-
65036	DIAMOND WHT MENS S/S T XXXL	-	72055	KAYAK COVER / PA 14 CUSTOM	-
65041	CLASSIC WHT MENS S/S T S	-	72056	KAYAK COVER / PA 12 CUSTOM	-
65042	CLASSIC WHT MENS S/S T M	-	72057	KAYAK COVER / PA 17 CUSTOM	-
65043	CLASSIC WHT MENS S/S T L	-	72058	KAYAK COVER / AI CUSTOM 2015+	-
65044	CLASSIC WHT MENS S/S T XL	-	72059	KAYAK COVER / TI CUSTOM 2015+	-
65045	CLASSIC WHT MENS S/S T XXL	-	72063	KAYAK COVER/OUTBACK CUSTOM 19	-
65051	CLASSIC BLK MENS S/S T S	-	72065	ST-TURBO FIN KIT - GRAY/BLACK	-
65052	CLASSIC BLK MENS S/S T M	-	74043	PADDLE ASSY 230 CM	-
65053	CLASSIC BLK MENS S/S T L	-	74044	PADDLE ASSY 260 CM	OS
65054	CLASSIC BLK MENS S/S T XL	-	74048	T-HANDLE PADDLE - 2019+	-
65055	CLASSIC BLK MENS S/S T XXL	-	78501	QUEST 13 RUDDER KIT/TWIST N ST	-
65056	CLASSIC BLK MENS S/S T XXXL	-	78502	QUEST 11 RUDDER KIT/TWIST N ST	-
65061	DIAMOND BLK MENS S/S T S	-	80024	BAG, MIRAGEDRIVE CARRY	-
65062	DIAMOND BLK MENS S/S T M	-	81024	LINE 5/32" NYLON BRAID-BLACK	-
65063	DIAMOND BLK MENS S/S T L	-	81029	LOOP STRAP, 1/4" OD, NYLON	-
65064	DIAMOND BLK MENS S/S T XL	-	81111	DECAL DOME M-DRIVE GT	-
65065	DIAMOND BLK MENS S/S T XXL	-	81183	MIRAGEDRIVE 180 ARC STD	-
65072	SCRIPT AHGRY MENS L/S T M	-	81184	MIRAGEDRIVE 180 ARC TURBO	-
65073	SCRIPT AHGRY MENS L/S T L	-	81185	MIRAGEDRIVE 180 ARC STD-INFL	-
65074	SCRIPT AHGRY MENS L/S T XL	-	81205	CHAIN ASSY, ECLIPSE DRIVE	-
65075	SCRIPT AHGRY MENS L/S T XXL	-	81380	CONTROL ARM - UP/DOWN	-
65082	SCRIPT CHAR MENS L/S T M	-	81538	CASSETTE PLUG - ECLIPSE	-
65083	SCRIPT CHAR MENS L/S T L	-	83102	TOOL GERBER MULTI-PLIER 600	-
65084	SCRIPT CHAR MENS L/S T XL	-	83104	TOOL, HOG RING PLIERS	-
65085	SCRIPT CHAR MENS L/S T XXL	-	84503	SAIL KAYAK MAST 2-PC	-

OS = Oversized item / Additional handling charges apply

Table with columns: Part, Description, OS. Lists various kayak parts and accessories such as batten kayak sail, crank assy, pad, uni-dir pedal, bag, kayak sail, float, sidekick ama-lt, loader assy, sail adv, washer, nut, cotter pin, sleeve, washer #12 flat, washer #10 flat, washer #10 finish, washer 1/4 x 5/8 flat ss, washer-flat, washer 1/4 x 1/2 x .032 ss, washer flat 1/4x3/4x.063 ss, washer m4 lock split s/s, washer 5/16 x 3/4 flat ss, washer 3/8 x 3/4 nylon-flat, washer 1/4 x 1 ss hp, washer #10 fndr ss, thumb screw, drain plug, gasket-black rubber, drain plug w/gasket-seat: kon, cleat-mast, clamcleat stbd black, clamcleat port black, lock ring 3/16", lock ring 3/16" - 100 pack, shackle "bow" 4.7 mm, shackle stnd "d" 4.7 mm, decal "hobie" diamond-turq/slv, decal "hobie" script black, decal "hobie" script wht, decal - hobie kayaks, decal - hobie kayak fishing, decal, hobie script chrome/blk, decal, 12" hobie fishing black, decal, 12" hobie fishing white, decal - hobie cat teq, decal bow - flying "h" blk, large clevis ring, large clevis ring / 100 pack, hog ring 1/2" s/s, blunt, 14 g, jib batten pkt prot w/screws, decal flying "h" small blk, decal flying "h" small wht, clamcleat mini cl204, lanyard gtwy wing leg, nylon push-in panel rivet, trailer hobie alum kayak singl, trailer hobie alum kayak ti si, trailer hobie alum kayak doubl, trailer alum kayak double doub, tower - trailer hobie alum dou, trailer hobie alum kayak pa17, trailer pad kit - kayaks, "s" hook,wave halyd dwnhl, tiller connector retainer, eyelet post, hatch screw-in -white 5", screw 1/4-20 x 1/2 sktst (aba), hog ring 3/8" s/s for 3/16" bu, clamcleat junior cl203, hobie uv protectant-12oz, pad eye-blk nylon-3/8", drain plug, drain assy, outfitter-front, drain assy, sport-oasis-ti, drain assy, rev0 11 front, drain assy, rev0 13 front, drain assy, rev0 16, drain assy, oasis front, shock cord end - screw-in, tool - screw in fittings, padeye - screw-in, cleat - screw-in, pa paddle clip assy, lashing hook-black, jam cleat - screw-in, shock cord - screw-in large, plug, screw-in, pad eye, screw-in, xl, ama / aka dbl shock cord assy, hook, gated, w/ladder lock, hatch bag 6.0 dia.-red, handle - lifting (web w/hole-), handle - lifting (web w/cap -), handle - side carry kit, pad eye - chrome, cover, rod holder, shock cord assy, kona fwd deck, shock cord assy, pdl holder, shock cord assy, adv pdl holde, keel guard, paddle models, trim lok seal hatch lid, trim lok seal (top molded), trim lok seal (side glued), trim lok seal (lg top-molded), gasket set 5.5, 7.125, 9.250, gasket kayak hatch 6", gasket kayak hatch 8", shock cord assy, adv fwd hatch, hatch 6" twist-n-seal kit.

Table with columns: Part, Description, OS. Lists various kayak parts and accessories such as hatch 6" twist-n-seal, o ring 6" twist-n-seal, hatch 8" twist-n-seal kit, hatch 8" twist-n-seal, o ring 8" twist-n-seal, hobie dry bag 8.0", gear bucket, gear bucket - deep, gear bucket bag, gear bucket 3 pak w/bag, rectangular hatch black, gasket - rectangular hatch, twist-n-seal hatch kit, rectan, front hatch seal, pa12, rectan, tackle management rack kit, bucket, hobie rectang hatch v2, rectangular hatch assy white, water bottle - stainless, bottle/can holder, scupper plug-psuit/maui/lanai, scupper plug kona/quest, skid guard, pro, hobie gear keeper small 36", hobie gear keeper large 36", hydro star sos dlx light, hobie drift chute, hobie safety kit, kayak gun mount (pair), rod holder extension, rod holder - livewell w/fasten, fish grip, mirage performance package v2, mirage seat pad - inflatable, hobie safety package-deluxe, tear-aid / type a (poly), tear-aid / type b (vinyl), bilge - hand pump, pedal pad kit black (pair), safety flag/light combo, hatch liner - outback <=2018, hatch liner - rev0 13 / 2013+, hatch liner - rev0 11/quest 11, mightymount w/ mount hdwr, hiking stick - ai/ti, hobie fish hawg trough - imper, fishfinder power kit, hobie livewell xl, trolling kit - trolley ready or, rod holder extension / adj, power-pole / power kit, hobie livewell v2, hobie first aid kit, spike - power pole micro 6', powerpole micro and spike, powerpole micro motor only, spike - power pole micro 8', cooler - pa bucket / all cargo, hobie h-crate, trolling motor mount / pa17, rescue step - kayak, h-crate soft cover, rod holder assembly / h-rail, hd strap kit, motorguide qr bracket, boomerang snips, safety flag assembly, hatch liner - outback 2019+, fish bag/cooler large, fish bag/cooler medium, fish bag/cooler compass, eclipse accessory bag, vantage seat accessory bag, fish bag/cooler xl, trolling motor xis 50" fresh, battery charger 12 / 6 volt, prop weedless 2 blade 3.5", propnut / wrench / pins, nmea2000 starter kit, cellblok battery holder, parknpole link 3pc 12" stakeou, outback power-pole mount <=201, powerpole hdwr kit 19 outback, fishfinder iseries install kit, fishfinder rudder install kit, fishfinder lithium power kit, footbrace kit compass/duo, h-rail kit for rear h-track dl, hobie fish hawg trough - metri, powerpole - mount kit compass, powerpole - mount kit pro a, powerpole - mount plate only, micro battery pak - lithium ba, plate kit, lowrance ready tota, fishfinder hook2 4x gps, fishfinder hook2 5 splitshot, fishfinder hook2 7 splitshot, fishfinder hook2 7 tripleshot, fishfinder hook2 9 splitshot, fishfinder hook2 9 tripleshot, guardian replacement parts kit, fishfinder elite 7ti2, 4,000 u, fishfinder elite 9ti2, 4,000 u, mount kit, tripleshot transduc.

Table with columns: Part, Description, OS. Lists various kayak parts and accessories such as c-map insight pro, point-1 gps antenna, mat kit, pa12 grey/black 360, mat kit, pa12 black/grey 360, mat kit, pa14 grey/black 360, mat kit, pa14 black/grey 360, mat, pa14 green/expresso inter, mat, pa14 titanium/blue inter, mat, pa14 grey/charcoal inter, mat, pa12 green/esspresso inter, mat, pa12 titanium/blue inter, mat, pa12 grey/charcoal inter, mat kit, pa14 green/expresso, mat kit, pa14 titanium/blue, mat kit, pa14 grey/charcoal, mat kit, pa12 green/expresso, mat kit, pa12 titanium/blue, mat kit, pa12 grey/charcoal, mat kit, outback green/express, mat kit, outback titanium/blue, mat kit, outback grey/charcoal, mat kit, compass grey/charcoal, mat kit, out 19 ti/aeg bl intr, mat kit, out 19 ti/aeg bl comp, mat kit, out 19 grn/esp intr, mat kit, out 19 grn/esp comp, mat kit, out 19 gry/char intr, mat kit, out 19 gry/char comp, undseat pads gr/ch pa12/14 '19, undseat pads gn/es pa12/14 '19, undseat pads ai/bl pa12/14 '19, undseat pads ai/bl pa12/14 '19, trolley kit - wellnut compass, h-crate tie down strap assy, h-crate jr soft cover, hobie h-crate jr, kayak rigging kit - hardware, hardware kit 1.25 (4 pack), tackle box - small yellow, tackle box - medium blue, tackle box - large red, spinnaker kit adventure island, spinnaker kit tandem island, spinnaker adventure island, spinnaker tandem island, island spinnaker hoop, island spinnaker sock / bag, mast head vane, island, cradle set - adv isl <=2014 tr, cradle set - pro angler traile, cradle set - tdm isl trailer, cradle set - pa17 trailer, dolly hanger kit - pa17 trailer, cradle set - adv isld 2015+ tr, cradle set - outback <=2018, cradle set - outback 2019+, cradle set - compass & duo, universal mount / ecllipse, water bottle holder kit ecllips, water bottle cage, quad lock uni phone mount, hobie bimini blue, hobie bimini gray, hobie bimini sun yellow, battery - livewell, battery charger - livewell, switch - livewell v1, intake tube assy - livewell, strap set - livewell, pump connector female - livewe, pump connector male - livewell, downspout fitting - livewell, intake 90 degree - livewell, marine goop 3.7oz clear, downspout tube - livewell, terminal cover - battery livew, pump atwood - livewell, intake tube 7" only - livewel, elec connector set, plug - livewell pump, c clip - drain tube level, horizontal rod holder kit, battery large lid - livewellv1, divider, reversible livewell v, knob, adjustable rod holder, wiring kit, pa17 trolling moto, prop, hobie design, torq motor, thru hull fitting, pwr plug, v, backing ring, pwr plg thru hul, mntg plt, m12 cable gland, backing ring, mntg plt, m12 ca, gasket pack, cable mounts, cap, pwr plug, female v1, lanyard, tyco cnctr cap v1, cap, m12 cnctr, female cvr, cap, m12 cnctr, male cvr, cap assy power plug male, fin kit - evolve, evolve v1 - battery charger, remote throttle, torqeedo, cable, power extension, 170", cable, m12, throttle box conec, cable, m12, throttle control, key w/lanyard and clip.







# Hobie

## **HOBIE CAT COMPANY**

Holding Company  
Oceanside, CA, U.S.A.  
1-800-HOBIE-49  
hobie.com

## **HOBIE CAT AUSTRALASIA**

Subsidiary  
Huskisson, NSW, Australia  
1-800-4-HOBIE  
hobie.com

## **HOBIE CAT EUROPE**

Subsidiary  
Toulon, France  
+33 (0) 494 08 78 78  
hobie.com

## **HOBIE KAYAK EUROPE**

Independent Distributor  
Stellendam, The Netherlands  
+31 (0) 187 499 440  
hobie.com

## **HOBIE CAT BRASIL**

Independent Distributor  
Porto Belo, Santa Catarina, Brasil  
+55 (47) 9746-9735  
hobie.com



## **KAYAKING AND ECLIPSE PARTS & ACCESSORIES**

INTERNATIONAL 87367054