



RAILBLAZA[®]
HOLD EVERYTHING...



Welcome to RAILBLAZA,

Enhance, customize and swap out fishing and boating accessories held tight on innovative, interconnecting, mounting systems.

RAILBLAZA is revered by anglers, paddlers, boaters, and those who live for quality time on the water and exploring the great outdoors.

Headquartered in New Zealand, with operations in the USA, the company is 100% vertically integrated across design, tooling and manufacturing. These capabilities provide agility to realize new innovations, delight customers with swift delivery and provide outstanding service and support.

RAILBLAZA products are designed and proven worldwide to deliver fantastic user experiences and last the distance. Sustainability through durability and respect for our lakes, waterways and oceans is paramount for the RAILBLAZA team. This is achieved through innovative

design, advanced material selection, a lean manufacturing ethos and responsible packaging.

RAILBLAZA is conscious of minimizing environmental impacts by actively reducing waste, designing for strength and reliability with fewer materials, and ensuring replacement parts are accessible to further extend usable life.

Tough, glass fiber reinforced engineering polymers are key RAILBLAZA materials injection molded for use across the products. The advantages include impressive strength and high UV resistance to not embrittle or discolor in harsh outdoor environments.

RAILBLAZA is the preferred choice to hold everything and deliver the best experiences on the water.

The illustrations, information and specifications referred to in this document were correct at the date of publication. However RAILBLAZA Limited reserves the right, subject to all applicable laws, at any time, at its discretion and without notice to discontinue or change the specifications or design of any product referred to herein.

© 2022 RAILBLAZA Limited.

The illustrations, information and specifications contained within this document remain the property of RAILBLAZA Limited. Any unauthorized copying or distribution of this material outside the catalogue, is prohibited without prior approval. Designed and printed in New Zealand.

Dedicated Garmin Fish Finder Mounts



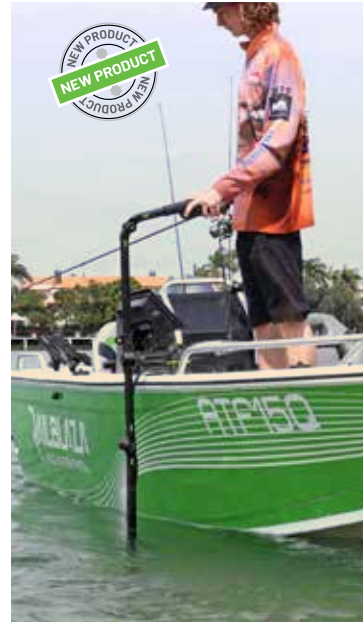
Page 16

Heavy Duty HEXX Electronics Mounts



Page 19-20

HEXX Live Pole Live Sonar Mounts



Page 21-22

C-Tug R Kayak Carts



Page 55-56

QUICK FINDER



StarPorts
5-6



Rail Mounts
7-8



Adhesive Mounts
9-10



TracLoader
11-12



TracWedge, Expanda Track, MiniPort
13-14



TracPort Dash, Garmin Fishfinder
15-16



Electronics Mounts, Lowrance Hook 2
17-18



HEXX Platforms
19-20



HEXX Live Pole
21-22



Rod Holders
23-24



Transducer Mounts, Electronics Mounts
25-26



Camera Mounts
27-28



RodStow
29-30



RodRak, Pole Holder
31-32



Fillet Table, Trolling Motor support kits
33-34



Spooling Station
35-36



Platforms & Extensions
37-38



StowPod, Tackle Caddy
39-40



Drink Holders, Eyes, Hooks, Adaptor
41-42



Phone and Tablet holders
43-44



Kayak Motor Mount, G-Hold, Gun Hold
45-46



Dive Bottle Holder, QuikGrip Pole holders
47-88



Navigation Lights
49-50



Navigation Light Kits
51-52



Safety & Accessories
53-54



C-Tug R Kayak & Canoe carts
55-56



C-Tug Kayak & Canoe carts
57-58



Dinghy Wheels, Double up Bar, Tie Downs
59-60



Replacement Parts
61-62



Apparel
62

STARPORT MOUNTS

**Enhance and customize
boats, kayaks, inflatables,
vehicles and more.**



StarPort

Where it all begins, low profile mounts to attach and swap out RAILBLAZA accessories.

- Surface or recess mounting
- Horizontal or vertical mounting
- Minimal intrusion depth
- Locking – easy release feature
- Gasket and bung to reduce water ingress
- Made from high grade engineering polymers
- Stainless steel fasteners included.



03-4015-21
White

Easy Release
Feature

Twin Pack
03-4001-11 Black x 2
03-4001-21 White x 2

SidePort

The ideal mount for gunnels on smaller aluminum boats or vertical cockpit wells on kayaks.



03-4014-11
Black



03-4014-21
White



03-4015-11
Black



[Click to explore STARPORT](#)



[Click to explore SIDEPORT](#)

StarPort HD

Incorporates the four hole base pattern common to many mounting brands including Scotty, RAM, Cannon, Fish-On.

- Heavy Duty
- Low profile
- Stainless steel fasteners included (may also be attached using self tapping screws, long tri grip rivets or rubber well nuts).



03-4046-11

CleatPort

A practical cleat with added StarPort versatility.

- StarPort locking slide secures accessories in place
- The polymer cleat is suitable for light loads on kayaks and small craft.

03-4044-11
Black



03-4044-21
White



E Series StarPorts

Cable Entry

- Secure and tidy cables and electrical connections
- 2 x inserts for 3/25" - 7/25" (3-7mm) cables
- 1 x double insert for two 6/25" (6mm) cables.



03-4157-11



03-4080-11

USB Socket

- Charge phones, tablets and more
- 12V DC / 2.1A
- Splash resistant
- Not suitable for data transfer.



[Click to explore STARPORT HD](#)

STARPORT RAIL MOUNTS

**Enhance pontoon boats,
kayaks, inflatables and
more.**



RailMount 19-25

- Clamps around a rail. No holes required
- Fits 3/4" (19mm) or 1" (25mm) diameter rails
- Includes adapters, rubber grips, self-adhesive grip tape, and fasteners



RailMount 32-41

- Clamps around a rail. No holes required
- Suits round and square 1 1/4" (32mm) or 1 5/8" (41mm) diameter rails
- Suits Hobie AKA and H-Rail



RailMount 32-41
fits round 1 3/20" (30mm) - 1 4/25" (41mm) rails, and square 1 1/4" (32mm) rails
Combo pack 03-4013-11 Black RailMount & StarPort
03-4013-21 White RailMount & StarPort



[Click to explore RAILMOUNT 19-25](#)

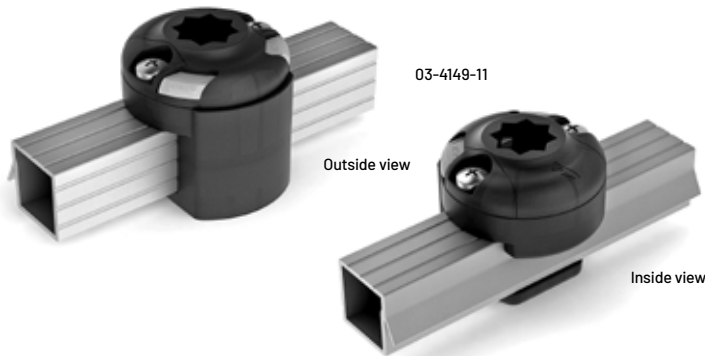


[Click to explore RAILMOUNT 32-41](#)

Pontoon Boat RailMount

Easily add StarPorts to pontoon boats

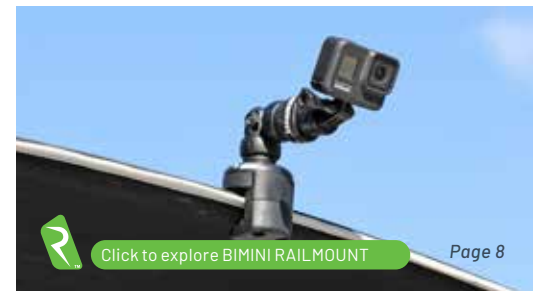
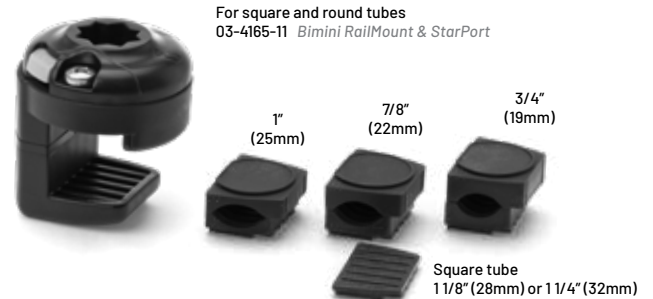
- No interference with the rail wall
- Screwed together to clamp around a rail. No holes required
- Fits square rails 1 1/8" (28mm) or 1 1/4" (32mm)
- StarPort locking slide secures accessories in place



Bimini RailMount

Secure attachment to round and square tube bimini tops.

- Screwed together to clamp around a bimini edge
- No holes required
- Installed without damage to a bimini top
- Fits square rails 1 1/8" (28mm) or 1 1/4" (32mm)
- Fits round rails 3/4" (19mm), 7/8" (22mm), or 1" (25mm)
- Not recommended for Rod Holders, Camera Booms or Flag Poles



[Click to explore PONTTOON RAILMOUNT](#)



[Click to explore PONTTOON RAILMOUNT](#)



[Click to explore BIMINI RAILMOUNT](#)

STARPORT ADHESIVE MOUNTS

No holes, no fasteners, just stick it.



RIBPort

Add StarPorts to any inflatable, RIB, SUP, kayak, or locations where holes must not be drilled.

- 3M VHB peel and stick for easy installation
- Adheres to Hypalon, PVC, fiberglass, painted surfaces, and more
- May also be attached using a two pot inflatable boat glue.



03-4064-11
Black



03-4064-21
White



03-4064-51
Grey



Cleatport RIBMount

All the advantages of RIBPort with the added practicality of a sturdy cleat.

- 3M VHB peel and stick for easy installation
- Adheres to Hypalon, PVC, fiberglass, paints, aluminum, and more.



03-4066-11
Black



03-4066-21
White



03-4066-51
Grey



03-4087-11
Black



03-4087-21
White

QuikPort

Ultra compact StarPort convenience for smaller, light weight accessories.

- 3M VHB peel and stick for easy installation
- Adheres to Hypalon, PVC, fiberglass, paints, aluminum, and more
- 3 1/2" (90mm) diameter, fits tighter spaces than the RIBPort.



STARPORT TRACK MOUNTS

**Expanding the options for
accessory positioning.**

TracLoader

Tool-free track and gunnel mounts adding accessories to boats and kayaks without drilling holes.

- Fits gunnel track systems including Crestliner SureMount, Tracker VersaTrack, Lund Sport Trak, Lowe Boats, Princecraft PrinceTrak, Xpress Boats, War Eagle, G3, Ranger & more
- Fits kayak tracks on Hobie, Wilderness, Jackson, YakAttack, Galaxy, Ocean Kayak, Native & more
- Fits RAILBLAZA TracLoader Gunnel Tracks and Expanda Track
- Locking slide secures accessories in place
- Each TracLoader ships with two sets of track bolts.



03-4129-11
TracLoader StarPort



03-4128-11
TracLoader SidePort



TracLoader45

45° gunnel track StarPort.

- Tool-free installation, easily fitted and repositioned
- Fits gunnel tracks found on LUND, LOWE, EXCEL, Express, G3, Ranger, War Eagle and early model Crestliner boats
- Rotate 180° to position horizontally or vertically.



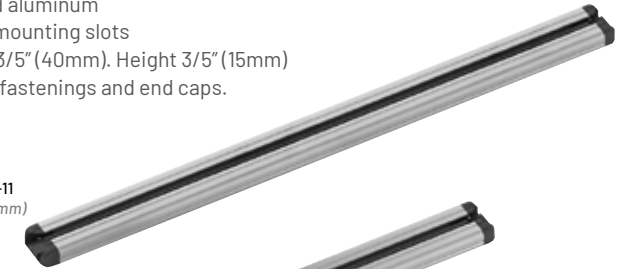
Supplied with
T Bolt option only

TracLoader Gunnel Track

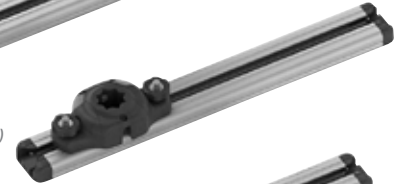
Swiftly swap out and reposition numerous accessories for complete flexibility.

- Anodized aluminum
- Pre-cut mounting slots
- Width 1. 3/5" (40mm). Height 3/5" (15mm)
- Includes fastenings and end caps.

01-4156-11
39" (1000mm)



01-4155-11
20" (500mm)



01-4154-11
12" (300mm)



STARPORT GUNNEL MOUNTS

The perfect fit to add and secure accessories.



TracWedge Gunnel Mount

Sturdy installation of StarPorts and SidePorts into the larger gunnels on Australian boats.

- Hole-free installation
- Fits most Quintrex, Stacer, Savage, Stessl, Stessco and Sea Jay open boats
- Locking slide secures accessories in place
- Includes all parts for varying sizes of channel
- Refer to our website for TracWedge Fit guide.



03-4126-11
TracWedge SidePort



03-4127-11
TracWedge StarPort



Additional parts for
larger channels



Kayak Expanda Track

- Suits the RAILBLAZA MiniPort TracMount and TracLoader mounts
- Modular, can be expanded
- Manufactured from robust reinforced nylon
- Corrosion and UV resistant.



Double end mount
1 4/5" x 1 3/5" x 3/8"
(45x40x10mm)

Single section
5" x 1 3/5" x 3/8"
(25x40x10mm)

Double section
8" x 1 3/5" x 3/8"
(200x40x10mm)

01-4122-11
Expanda Track kit
Makes 1 x 4" (100mm) track
or 1 x 8" (200mm) track.

Includes:
4 x track lengths
2 x end pieces
Fasteners

MiniPort TracMount

Swiftly and easy rigging of accessories onto kayak tracks.

- Tool-free installation
- Fits kayak tracks including those installed onto Hobie, Wilderness, Jackson, YakAttack, Galaxy, Ocean Kayak and Native Watercraft.
- Fits RAILBLAZA Expanda Track
- Locking ring secures accessories in place.



03-4108-11

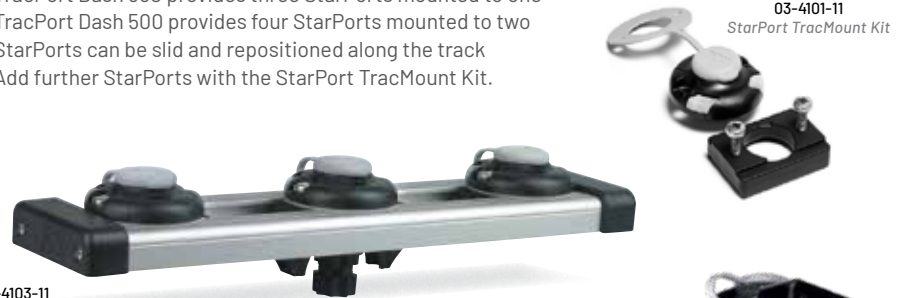


TRACPORT SERIES

TracPort Dash series

Hold more along the adjustable dash tracks.

- TracPort Dash 350 provides three StarPorts mounted to one
- TracPort Dash 500 provides four StarPorts mounted to two
- StarPorts can be slid and repositioned along the track
- Add further StarPorts with the StarPort TracMount Kit.



03-4103-11
TracPort Dash 350
13 3/4" (350mm) Track with 3 StarPorts
installed and 2 attachment adaptors



03-4102-11
TracPort Dash 500
19 1/2" (500mm) Track with 4 StarPorts
installed and 2 attachment adaptors





Garmin Fish Finder Mounts

Easily install Garmin ECHOMAP™ UHD, UHD2 and STRIKER™ Fishfinders onto kayaks, rails, tracks, inflatables and more.

- Attaches directly to the Garmin swivel base
- 360° friction joint
- Adjustable to suit complex mounting locations
- Fasteners included
- Tool-free removal.



GARMIN®



02-4179-11
Fish Finder Mount Low Profile Garmin



02-4178-11
Fish Finder Mount R-Lock Garmin

STARPORT ELECTRONICS MOUNTS

Platforms to match and hold fish finders and more.



Rotating Platform S

- For electronics with square and round bases.
- 360° rotation
- 4 x 4" (102x102mm).



02-4021-11

Fish finder Mount R-Lock S

- For electronics with square and round bases
- Adjustable to suit complex mounting locations
- Lockable friction joints top and bottom
- Holds up to 3.3lbs (1.5kg)
- 4 x 4" (102x102mm)
- Height 6 7/10" (170mm).



02-4140-11



Rotating Platform R

- For electronics with U brackets
- 360° rotation
- 6 1/4 x 2 3/10" (160x60mm).



02-4136-11

Fish Finder Mount R-Lock R

- For electronics with U brackets
- Adjustable to suit complex mounting locations
- Lockable friction joints top and bottom
- Holds up to 3.3lbs (1.5 kg)
- 6 1/4 x 2 3/10" (160x60mm)
- Height 6 7/10" (170mm).



02-4141-11

Lowrance HOOK2 Fish Finder Mount R-Lock

- For Lowrance HOOK2 4x and 5x
- Solves complex mounting locations
- Lockable friction joints at each end
- Height 6 7/10" (170mm).



02-4142-11

Lowrance HOOK2 Adaptor

- For Lowrance HOOK2 4x and 5x
- Height 3 3/20" (80mm)



02-4143-11



RAILBLAZA HEXX™ ELECTRONICS MOUNTS

The heavy duty choice to support large fish finders.



HEXX Rotating Platform

Solid, rotating, removable and elegant mount for larger fish finders from Humminbird, Lowrance, Garmin and more.

- Holds up to 11lbs (5kg)
- 90° platform rotation
- Compact mounting footprint
- Swift tool-free removal offers security for valuable electronics
- High strength, UV stabilized engineered polymer construction
- Stainless fasteners included
- 10" x 3 2/5" x 3" (252x86x75mm)
- 1 x HEXX Base included.



HEXX Base

Easily move Fish finder locations.

- 3 3/10" (85mm) x 1 1/10" (28.8mm)
- Stainless fasteners included



07-4180-11

11-4175-11

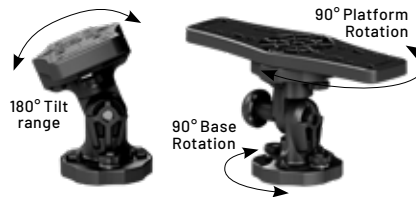
HEXX Fish Finder Mount

Removable, adjustable, high load mount for Fish finders up to 12". Stable and solid for large electronics.

- Holds up to 6.6lbs (3kg)
- 90° rotation / 90° base rotation
- 180° tilt
- Adjustable to suit complex mounting locations
- Compact footprint for mounting in tight areas
- Swift tool-free removal secures for valuable electronics
- High strength, UV stabilized engineered polymer construction
- Stainless fasteners included
- 10" x 3 2/5" x 5 7/10" (252x86x145mm)
- 1x HEXX Base included.



11-4174-11



HEXX LIVE SONAR TRANSDUCER MOUNTS

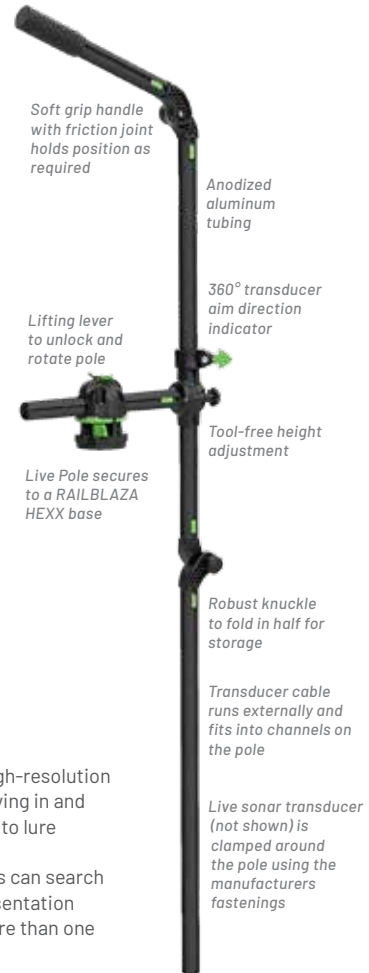
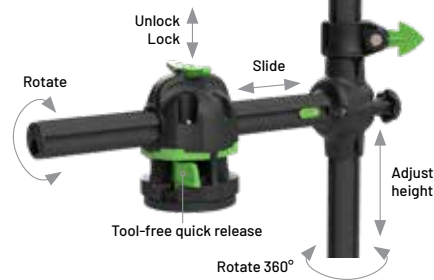
The best fishing experience with Lowrance, Garmin, and Humminbird.

HEXX Live Pole

View more action below the water in real-time. HEXX Live Pole attaches to the deck and is swung into the water enabling a live transducer to be aimed at underwater targets.

After use, HEXX Live Pole is swung out of the water for deck storage or easily removed, folded, and stowed.

- Fits Lowrance, Garmin and Humminbird transducers
- Easy 360° degree rotation to follow targets
- Stable up to 5 knots of boat speed
- Direction indicator shows transducer aim
- Adjustable inboard and outboard
- Unlock to rotate in and out of the water
- Stows on deck or detaches completely
- Tool-free adjustment.



Live sonar technology displays high-resolution images of targets in real time moving in and around structure as they respond to lure presentations.

With immediate feedback, anglers can search for target species, adjust the presentation to trigger a strike, and know if more than one predator fish is active in the area.

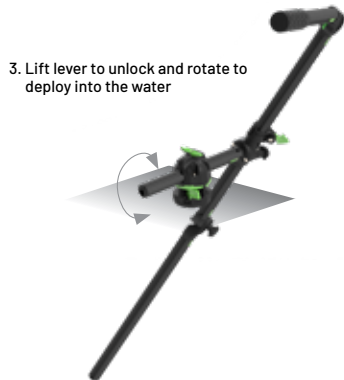
Live Pole is swift to deploy



1. Pictured folded on deck



2. Slide outboard and unfold



3. Lift lever to unlock and rotate to deploy into the water

HEXX Live Pole 60

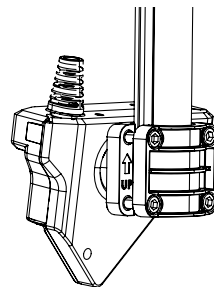
Perfectly places the soft grip handle near hip height for easy operation when installed on powerboats.

HEXX Live Pole 60 secures to the deck and is swung into the water enabling 360° aiming of live transducers towards underwater targets.

- 61" (1550mm) overall length
- 32 7/10" (830mm) folded length
- 1 x HEXX Base included.



11-4190-11
HEXX Live Pole 60



Fits Lowrance,
Garmin and
Humminbird live
sonar transducers

HEXX Live Pole 30

Easily install and control live sonar transducers on kayaks, canoes and dinghies with low freeboard.

HEXX Live Pole 30 provides a removable attachment and 360° aiming to identify targets, then rotates out of the water when not in use.

- 30 1/4" (768mm) overall length
- 1 x HEXX Base included.



11-4191-11
HEXX Live Pole 30

STARPORT ROD HOLDERS

Robust, reliable and proven worldwide.



Rod Holder II

Robust and highly adjustable to secure a rod in almost any position.

- Suits spinning, bait caster, boat and fly reels
- Rotating collar reduces 'strike-theft'
- Gimbal lock reduces rod rotation; Lift to slide rods through.
- Adjustable 360° around, over 90° vertical
- Always use a tether.



Rod Holder II only
02-4020-11 Black 02-4020-21 White

Rod Holder II + StarPort Kit
04-4020-11 Black 04-4020-21 White

Rod Holder II + StarPort HD Kit
04-4055-11 Black



Spinning reels



Fly reels



Bait caster reels

Rod Holder R

A light duty rod holder for fresh water and inshore fishing.

- Suits spinning, bait caster and fly reels
- Not recommended for trolling for large fish.
- Strap secures a rod and reel
- Adjustable 360° around, over 90° vertical
- Always use a tether.

Rod Holder R only
02-4082-11 *Black*

Rod Holder R + StarPort HD Kit
04-4082-11 *Black*



Rod Tube

Secure a rod with the drop down gimbal to hold it high and dry, or slot it into the end of the Rod Tube.

- Suits spinning, bait caster and fly reels
- Gimbal lock reduces rod rotation;
Lift to slide rods through.
- Adjustable 360° around, over 90° vertical
- Always use a tether.

Rod Tube only
02-4118-11 *Black*

Rod Tube StarPort HD Kit
04-4118-11 *Black*



Rod Holder Extender

- Raise any Rod Holder by 5" (125mm)



02-4137-11



Spinning reels



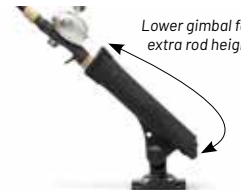
Fly reels



Bait caster reels



Spinning reels



Bait caster reels



STARPORT TRANSDUCER MOUNTS

**Light weight
and durable.**



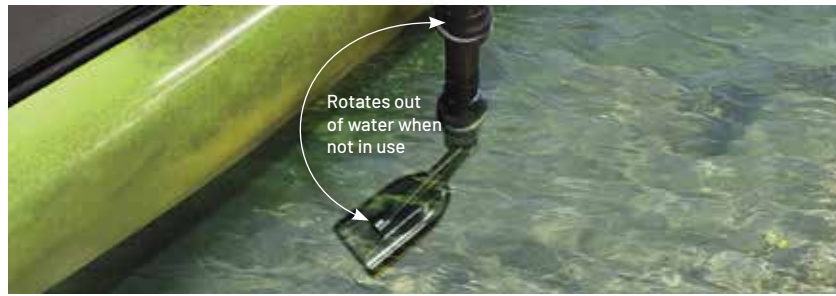
Kayak/Canoe Fish Finder and Transducer Mount

- Easily detaches when finished fishing
- Rotates out of the water when not in use
- Mounting StarPort sold separately.



02-4060-11 Arm + rotating platform

02-4061-11 Arm only



Kayak/Dinghy Transducer Arm XL

Ideal for kayaks, canoes and dinghies with a high freeboard.

- Easy retraction and removal of the transducer
- Rotates out of the water when not in use
- Mounting StarPort sold separately.

Note - Retraction is recommended when boat speed is over 8 knots



Swing Arm R-Lock

Rotate electronics for the best view or swing them out of the way.

- 8" x 4 3/10" (200x110mm).



**Fits all
StarPorts**



SidePort



SidePort
TracLoader



StarPort



StarPort HD



STARPORT CAMERA MOUNTS



Camera Boom 600 R-Lock

The perfect way to secure a camera and capture the action.

- Five adjustment points
- Up to 25" (650mm) of extension
- RAILBLAZA R-Lock lockable friction joints
- Fits all cameras with 1/4 20 thread insert
- Includes GoPro tripod adaptor
- Holds up to 1.7lbs (0.8kg)
- Always use a tether.

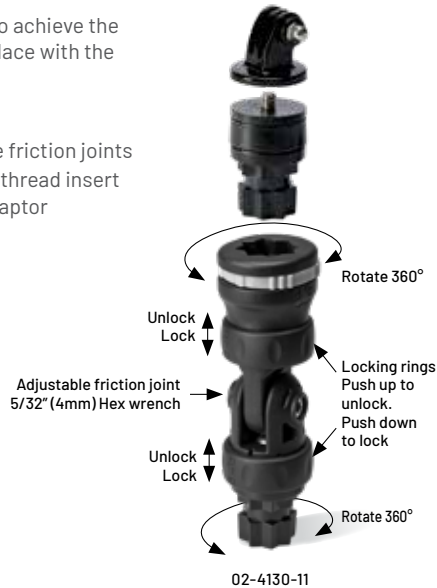


02-4132-11

Camera Mount R-Lock

Secure and adjust a camera to achieve the perfect angle then lock it in place with the patented R-Lock system.

- 5 adjustment points
- RAILBLAZA R-Lock lockable friction joints
- Fits all cameras with a 1/4 20 thread insert
- Kit includes GoPro tripod adaptor
- Always use a tether.



Camera Mount Adaptor

- Fits all cameras with a 1/4 20 thread insert
- Includes GoPro tripod adaptor
- Always use a tether.



Fits all
StarPorts



SidePort



SidePort
TracLoader



StarPort



StarPort HD



ROD STORAGE



RodStow Triple

- Removable gimbal pin to hold the rod up and stop rotation
- Storage caddy for lures and tackle.



09-0011-11
Black Triple

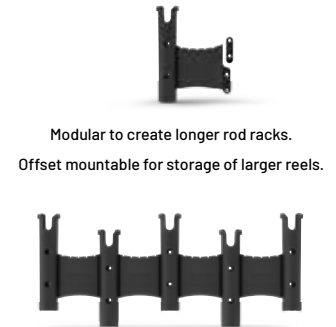
10" x 14 3/4" x 2 1/5"
250mm x 375mm x 65mm



09-0011-21
White Triple

RodStow Double and Single

- Removable gimbal pin to hold the rod up and stop rotation
- RodStow Double includes a storage caddy for lures and tackle.



ROD STORAGE



RodRak

Robust, expandable and stackable fishing rod storage.

- For all rod lengths
- Suits rod grips from 1" to 1 1/2" (25mm to 38mm)
- Install vertically or horizontally overhead
- Soft rubber inserts for extra protection
- Add extra retention with a bungee cord (not included).



09-0008-11
Black 2 pairs
(suitable for two rods)



09-0008-21
White 2 pairs
(suitable for two rods)

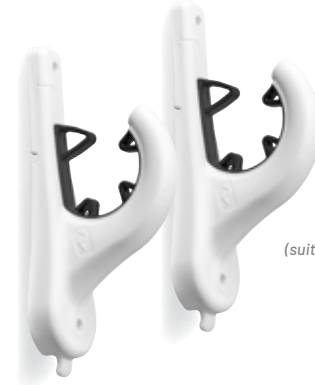
RodRak Pole Holder

Universal and expandable brackets to hold paddles, poles, landing nets, gaffs, or boat hooks and more.

- For all pole lengths
- Suits diameters from 1" to 1 1/2" (25mm to 38mm)
- Install vertically or horizontally overhead
- Soft rubber inserts for extra protection
- Add extra retention with a bungee cord (not included).



09-0012-11
Black x 1 pair
(suitable for one pole)



09-0012-21
White x 1 pair
(suitable for one pole)



FISHING



Universal Table, Bait Station & Fillet Table

Robust table that can be secured to any RAILBLAZA mounts.

- All-round drain (with hose-ready fitting underneath) prevents spills
- No front lip to interfere when filleting
- Incorporates a knife storage slot
- 20 7/10" x 13 4/5" (525 x 350mm).



02-4024-11 *Fillet Table with platforms only*

04-4024-11 *Fillet Table including StarPorts and platforms*



Trolling Motor Supports

Strap the trolling motor shaft in place and reduce vibration underway. Easily removable to clear the deck.

Trolling Motor Support Kit

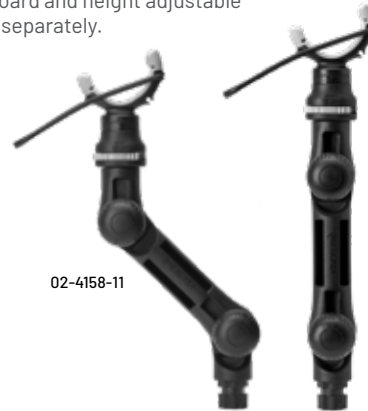
- Holds trolling motor 6 3/10" (160mm) off the deck
- Ships with 1 x StarPort.



04-4148-11

Trolling Motor Support XL

- Inboard, outboard and height adjustable
- StarPort sold separately.



02-4158-11

**Fits all
StarPorts**



SidePort



SidePort
TracLoader



StarPort



StarPort HD



SPOOLING STATIONS

Swiftly respool on the go or at the work bench.

"I can spool however many reels I need, its super easy to use and change the spool over."

Ott DeFoe - Major League Fishing
Professional Angler & RAILBLAZA Pro.

Easy to use, compact, one person devices to effortlessly respool fishing reels on the boat or workshop.

- Height adjustable shaft holds spools up to 2" (50mm) thick with a diameter of up to 4 1/2" (115mm)
- Adjustable orientation allows to pivot and point the spooling station towards a rod tip
- Spool line retention clip prevents the spool unraveling when not in use
- Integrated brake for adjustable spool tension
- Fold back tether point to hold the spooling station closed. Ideal for folding away in a cupboard or locker.

TrackMount Spooling Station

A tool-free installation onto the gunnel tracks of aluminum fishing boats including Tracker VersaTrack, Crestliner, LUND Sport Trak, LOWE Boats, Princecraft PrinceTrak, Xpress Boats, War Eagle, EXCEL Boats, G3, Ranger, Horizon & Stessl Boats Australia (2020 onwards).



09-4160-11





StarPort (or Fixed Mount) Spooling Station

Easily attached with self-tapping screws. (included)
Also includes one StarPort adapter compatible with all StarPort mounts. (sold separately).



09-4159-11

**Fits all
StarPorts**



SidePort



SidePort
TracLoader



StarPort



StarPort HD

Attach directly to StarPorts



Mount permanently to a work bench or walls



PLATFORM MOUNTS & EXTENSIONS

Rotate it, hold it, raise it.



Adjustable Platform

Easily adjustable universal platform to fit all StarPort mounts.

- 180° range in 15° increments
- 4 x 2 1/2" (100x64mm).



02-4002-11

Extenda Pole 1000

Attach a light or adjustable extender with a G-Hold to hold a torch or more.

- Collapsible for easy stowing
- Use at 3 different heights:
1 section 15" (380mm)
2 sections 27" (680mm),
3 sections 38 1/2" (980mm).



02-4067-11



Fixed Extender

Easy and robust 5" (125mm) extension of any StarPort mount.



03-4016-11

Adjustable Extender R-Lock

Swiftly extend and add almost unlimited adjustment to any StarPort mount.

- Adjustment via 360° lockable friction joints and knuckle to change the angle in 15° increments.



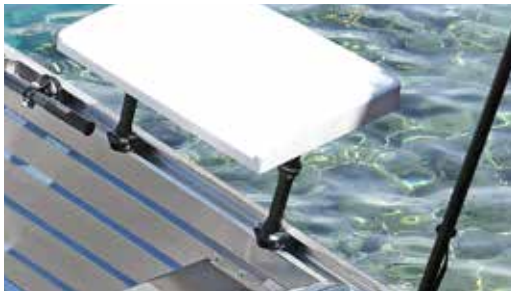
03-4144-11

SwivelPort

Adds the convenience of 360° rotation and 1 3/5" (41mm) of extension to any StarPort mount.



03-4042-11



GEAR STORAGE

Tidy, convenient, portable.



StowPod

The tidy, convenient and portable storage solution to hold equipment and accessories.

- Fits vertical or horizontal StarPort mounts
- Movable drink holder partition
- May be fastened in place
- 10" x 3 1/2" x 4 1/2" (255x88x105mm) excluding Star Adaptor.

StowPod
Including Star Adaptor & fasteners
02-4040-11 *Black*
02-4040-21 *White*

StowPod + StarPort Kit
04-4040-11 *Black*
04-4040-21 *White*



Tackle Caddy

The perfect place for holding fishing gear including pliers, keys, lures, phones, VHF's, binoculars, drink bottles, sunblock and more.

- Holds 2 x Plano 3400 series Original Stowaway tackle boxes or similar
- Bungee cord included for tool and tackle box retention
- 12" x 4 1/2" x 5" (300x115x125mm)
- TracMount version fits most gunnel tracks in the USA & Australia including Tracker, Crestliner, Lowe, Lund, War Eagle, Princecraft, Horizon, Stessl and many more
- Console version for fixed mounting
- StarPort compatible using Adaptor 02-4043-11 (Sold separately)
- TracMount version is easily removed and stowed when not in use, or transferred to another position on the gunnel track.



09-4151-11
Tackle Caddy Track Mount

09-4150-11
Tackle Caddy Console Mount



DRINK HOLDERS



Drink Hold

Hold anything from drink bottles to coffee mugs along with the ability to hang fishing lures or store pliers.

- Mount horizontally or vertically



CupClam

Adjustable and folding drink holder.

- Mount horizontally or vertically
- Suitable for mugs, bottles, wine glasses
- Folds for easy storage



Attachment Adaptor

Enable other accessories, fixtures and fittings to become StarPort compatible.

Fasten two adaptors together to create a male to male fitting.



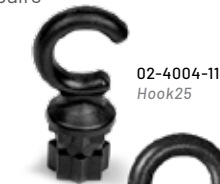
Adaptors can be bolted together to create a male to male adaptor



Hook25, Eye25, Webeye30

Hooks and eyes with almost unlimited uses.

- Webeys30 suits webbing straps
- Shipped in pairs



STARPORT DEVICE HOLDERS



Mobi Device Holders

Firmly hold a phone, GPS, VHF, PLB or other devices.

- Spring loaded arm
- Rubber grip pads
- Retention strap.



02-4033-11
Adjustable Mobi

04-4033-11
Adjustable Mobi including StarPort



02-4034-11
Low Profile Mobi

04-4034-11
Low Profile Mobi including StarPort





ScreenGrabba R-Lock

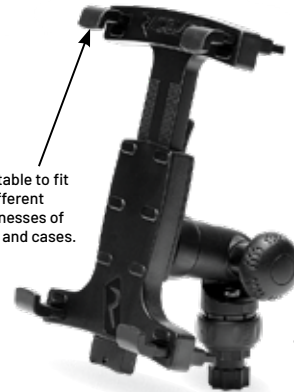
Securely hold an iPad, Galaxy Tablet or other device

- Fits 4 3/4" to 10" (120 to 250mm) devices
- 360° rotatable with R-Lock lockable friction joints
- Portrait and landscape viewing
- Over 90° tilt angle
- Holds hard, soft and waterproof dry cases
- Rubber grips secure devices tightly without slip or damage.



04-4131-11
ScreenGrabba R-Lock
+ StarPort

Adjustable to fit
different
thicknesses of
tablets and cases.



02-4131-11
ScreenGrabba R-Lock

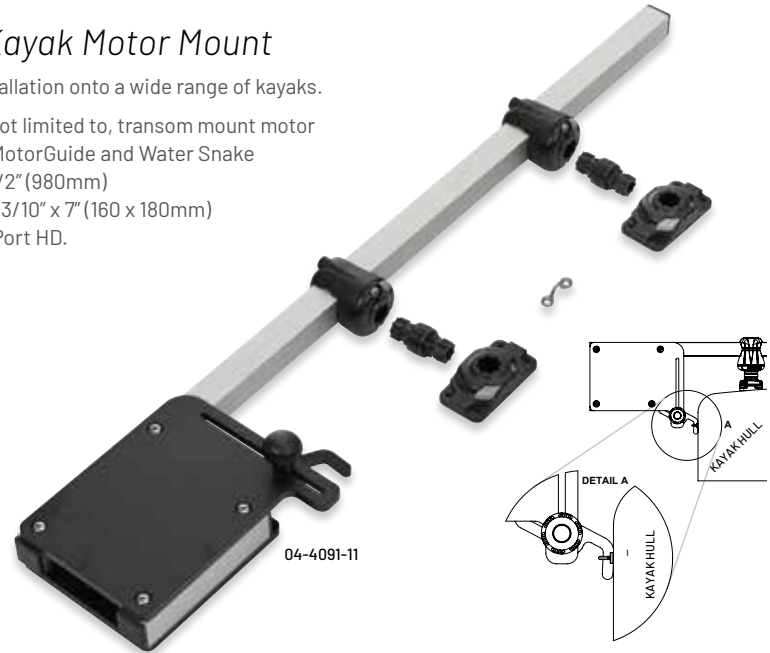
MOTOR MOUNT



Universal Kayak Motor Mount

Swift and easy installation onto a wide range of kayaks.

- Suitable for, but not limited to, transom mount motor from Minn Kota, MotorGuide and Water Snake
- Pole Length: 38 1/2" (980mm)
- Motor Pad size: 6 3/10" x 7" (160 x 180mm)
- Includes 2 x StarPort HD.



G-Holds

Suits a wide range of gear such as torches, knife sheathes, boat hooks, oars, gaffs and more.

- 3 diameters 1 3/10", 2", 3" (35mm, 50mm, 75mm).



02-4026-11 1 3/10" (35mm)
02-4027-11 2" (50mm)
02-4028-11 3" (75mm)

GunHold

Safely stow and transport rifles, shotguns, spearguns, bows and more.

The flexible rubber fingers align to the shape of different butts, then straps down to secure against vibration and damage. Sold individually, two GunHolds are recommended per item.

RAILBLAZA strongly recommends GunHolds are used in accordance with the firearms laws of the applicable jurisdiction.



02-4052-11



POLE & PADDLE MOUNTS



QuickGrip Push Pole Holder

- Clamps tightly to push pole
- Fits pole diameters;
1 1/8" to 1 3/8" (28mm) and 1 1/4" to 1 5/8" (32mm)
- Rotates 360° - Pivots 180°
- Includes 1 x StarPort.

04-4116-11
28mm (1 1/8" to 1 3/8")

04-4117-11
32mm (1 1/4" to 1 5/8")



QuickGrip Paddle Clip StarPort Mount

- Easily hold paddles, landing nets, boat hooks and more.
- Fits shafts 28mm (1 1/8" to 1 3/8") and 32mm (1 1/4 to 1 5/8").

02-4120-11
28mm (1 1/8 in to 1 3/8 in)

02-4121-11
32mm (1 1/4 in to 1 5/8 in)



QuickGrip Paddle Clip Track Mount

- Fits kayak tracks including RAILBLAZA Expanda Track, Ascend, Wilderness Systems, Native Watercraft, YakGear and Yak Attack.
- Fits shafts 28mm (1 1/8" to 1 3/8").

08-0052-11



TracPort Dive & Gas Bottle Holder Kit

Secure dive bottles, gas bottles, fuel and water containers, trash bins and more.

- Adjustable straps with quick release buckles
- Fixed or StarPort mount.



Dive & Gas Bottle Holder

Universal for more applications including fuel and water containers.

- Permanently installed using supplied fasteners
- Ships with StarPort adapters for removable mounting (StarPorts sold separately).



USCG 2NM NAVIGATION LIGHTS

Certified lighting for enhanced visibility.



Illuminate i360

Battery powered All Round White light.

- 2 nautical mile visibility
- Meets USCG 2NM & ABYC A-16
- Waterproof to 3' (1m)
- Floats with lens clear of water
- Powered by 3 x AA batteries, (Not included)
- Operating modes & run times:
White navigation – up to 25hrs
Low brightness – up to 160hrs
Flashing emergency – over 200hrs.



02-5004-11



Illuminate iPS

Battery powered Bi-Color LED navigation light.

- 2 nautical mile visibility
- Meets USCG 2NM & ABYC A-16
- Waterproof to 3' (1m)
- Floats with lens clear of water
- Powered by 3 x AA batteries, (Not included)
- Operating modes & run times:
Full bi-color navigation 12/14hrs
Port only 20/24hrs
Starboard only 20/24hrs.



02-5005-11



Bimini RailMount Light Kit

Battery powered All Round White light.

- 2 nautical mile visibility
- Meets USCG 2NM & ABYC A-16
- Powered by 3 x AA batteries (Not included)
- Suits square and round tubes
- Rubber inserts to suit bimini rails
- Screwed together to clamp around a bimini edge.

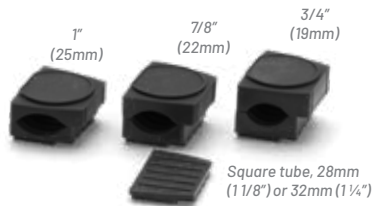


UK
CA
CE



IP
67

04-4170-11



USCG 2NM NAVIGATION LIGHT KITS

Certified lighting for enhanced visibility.



NaviPack

A complete set of certified navigation lights.
Also suitable as emergency backup navigation lights.

Includes:

- Extenda Pole 1000
- Illuminate iPS Bi-Color navigation light
- Illuminate i360 All Round White light
- StarPort mount
- SidePort mount
- QuikPort adhesive mount
- Storage bag with draw string.

04-4092-11



Kayak Visibility Kit II

Includes:

- Extenda Pole 1000
- Illuminate i360 All Round White light
- StarPort HD mount
- Fluorescent orange flag
- Storage bag with draw string.

04-4084-11



Dinghy Visibility Kit

For boats under 23' (7m) in length where boat speed does not exceed 7 knots (For speeds exceeding 7 knots, port and starboard lights are also required).

Includes:

- Extenda Pole 1000
- Illuminate i360 All Round White light
- SidePort mount
- Storage bag with draw string.

04-4119-11



STORAGE ACCESSORIES



StarPort Wall Sling

Free up space with wall storage of kayaks, canoes, SUPs, windsurfers and more.

Includes:

- 1 x pair of StarPorts
- 1 x pair of slings with adjustment buckles.



04-4050-11



Carry, Wash and Store Bag

Ideal to store and protect RAILBLAZA accessories. Clean easily using fresh water to remove salt or dirt then hang to dry. May be used as a safety flag with Extenda Pole 1000.

- Bag Size 18x18" (450x450mm).

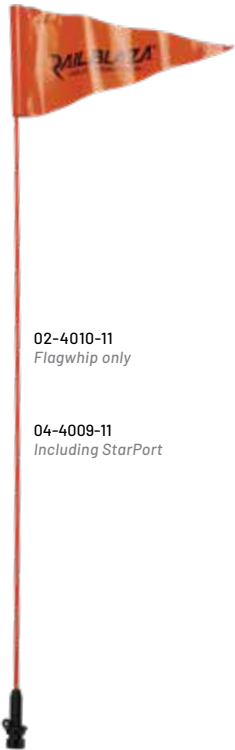


02-4068-81

Flagwhip

For kayaks and off-road vehicles to enhance visibility.

- Length 47 1/2" (1200mm)
- Fiberglass pole.



02-4010-11
Flagwhip only

04-4009-11
Including StarPort

Flagpole

Display a diving flag or show allegiance to a club, team or country.

- Length 31 1/2" (800mm)
- Aluminum pole.



02-4009-11



Rowlocks

Attaches to oars and clips in and out of the RIBPort.

- Fits aluminum oars
- Supplied in pairs.



02-4047-21
White

02-4047-11
Black



02-4032-21
White

02-4032-11
Black



KAYAK & CANOE CARTS



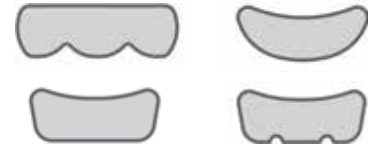
The ultimate cart evolved.

C-Tug R with Kiwi Wheels

Introducing the evolution of the world's best selling kayak and canoe cart, C-Tug R with adjustable hull rails to set the perfect carrying position.

C-Tug R expands the possibilities and fits a wider selection of hull shapes including pontoon hulls like the Hobie Pro Angler, Hobie Outback and more.

- Dismantles to fit inside a kayak hatch
- 20" (500mm) hull rails with non-slip rubber pads
- Made from tough reinforced polymer
- Stainless steel reinforced axles
- Puncture-free Kiwi Wheels with hi-grip rubber tread
- 9' (2.8m) strap with aluminum buckle
- Adjustable kick stand
- Light weight 8.8lbs (4kg)
- 220lbs (100kg) Static loading (will vary with dynamic loading on different terrains)
- 5 year warranty.



Suits hull shapes with these typical cross sections



50-0010-71





SANDTRAKZ®
All-Terrain

*Soft Sand - no problem
move with ease.*

C-Tug R with SandTrakz

The evolution continues with C-Tug R's adjustable hull rails paired with SandTrakz wheels. The SandTrakz all terrain mimic bulldozers and military vehicles by compressing under load to provide a longer track length, reducing the chance of digging in and reducing the pulling load. SandTrakz delivers an easy portage across soft sand plus a smooth ride on hard surfaces.

- Dismantles to fit inside a kayak hatch
- 20" (500mm) hull rails with non-slip rubber pads
- Made from tough reinforced polymer
- Stainless steel reinforced axles
- Puncture-free SandTrakz All Terrain Wheels
- Half the pulling effort of Kiwi Wheels
- 9' (2.8m) strap with aluminum buckle
- Adjustable kick stand
- Light weight 10lbs (4.6kg)
- 170lbs (80kg) static loading (will vary with dynamic loading on different terrains)
- 2 year warranty on SandTrakz wheels
- 5 year warranty on all other parts.



50-0014-71

C-Tug R Conversion Kit

Convert a classic C-Tug cart with a pair of adjustable hull rails. Adjust to the perfect position to reduce pulling load and get on the water faster.

- 2 x 20" (500mm) width adjustable non-slip hull rails
- Compatible with Kiwi Wheel and SandTrakz carts.



50-0012-71

KAYAK & CANOE CARTS



The ultimate cart.

C-Tug with Kiwi Wheels

C-TUG continues to amaze with its rugged appeal, incredible strength and market leading design. Built to last and proven on all terrains, C-TUG requires no tools and assembles and dismantles in seconds to stow in a kayak hatch and take the next destination.

- Dismantles in seconds
- Fits inside hatches
- Made from tough reinforced polymer
- Stainless steel reinforced axles
- Rubberized hull pads
- Tool-free assembly
- Puncture-free Kiwi Wheels with hi-grip rubber tread
- 9' (2.8m) strap with aluminum camlock buckle
- Adjustable kick stand
- Light weight 10lbs (4.3kg) and easy to handle
- 260lbs (120kg) static loading (will vary with dynamic loading on different terrains)
- 5 year warranty.



50-0001-71



C-Tug with SandTrakz

Easy portage across soft sand. The SandTrakz outer rim compresses to mimic bulldozers and military vehicles and reduce pulling effort, then acts as suspension to smooth the ride on hard surfaces.

- Fits inside hatches
- Dismantles for easy stowing
- Puncture-free SandTrakz wheels
- Rubberized hull pads
- Adjustable kick stand
- 2.8m (9') strap with aluminum camlock buckle
- 170lbs (80kg) static loading (will vary with dynamic loading on different terrains)
- 2 year warranty on SandTrakz wheels
- 5 year warranty on all other parts.



50-0006-71



SANDTRAKZ®
All-Terrain

*Soft Sand - no problem
move with ease.*



DINGHY WHEELS



C-Tug Dinghy Wheels

Low rolling resistance, large diameter wheels for easy transport up the beach or boat ramp without lifting the heavy load. Ideal for inflatable tenders or aluminum boats.

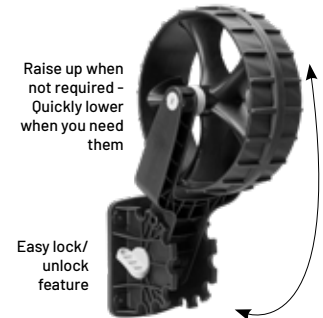
- 10" puncture free wheels, easily removable
- Easy installation & assembly
- Easy lock and unlock
- Made from UV resistant glass reinforced polymer
- Stainless steel fasteners and axles
- Lightweight 9lbs (4kg) per pair
- For boats up to 12' (3.6m)
- For use with outboards up to 15HP (2 stroke) or 9.9HP (4 stroke)
- Recommended working load up to 220lbs (100kg)
- Recommended maximum static load 260lbs (120kg)

Note - Load rating varies on different surfaces.



50-0009-51

Pair of C-Tug Dinghy Wheels



C-Tug Double Up Bar

Join two C-Tugs together to spread the load and carry heavier kayaks and boats.

- Easily disassembled
- Supplied with 2 x extended straps
- Supports up to 350lb (160kg) static loads
- Provides balance without heavy lifting
- Wheels remain close for ease of turning
- Fits any C-Tug.



50-0007-71

1 x Double Up Bar,
2 x Straps

(C-TUGS ordered separately)



For C-Tug Double Up Order:

- 2 x 50-0001-71 C-Tug Carts
- 1 x 50-0007-71 Double Up Bar

For SandTrakz Double Up Order:

- 2 x 50-0006-71 SandTrakz Carts
- 1 x 50-0007-71 Double Up bar

C-Tug 15ft Tie Downs

A pair of quality 15ft tie-downs to easily secure kayaks, SUPs, surfboards, dinghies, and more to roof racks and trailers.

Rubber-coated aluminum cam buckle to protect loads and vehicles. Ultra tough, UV and abrasion resistant polyester webbing.

- 15' x 1" (4.6m x 25mm)
- Can be cut to length
- 385lbs (175 kg) Lashing Capacity
- 770lbs (350 kg) Break Strength
- Meets Australian Standard AS/NZS 4380
- Suitable for use as a C-Tug strap extender
- Supplied in pairs



50-0013-11



REPLACEMENT PARTS



07-4180-11
HEXX Mounting Base
- For all HEXX products



07-4008-11
Strap for G-Hold 75.
2 per pack.



07-4007-11
Strap for G-Hold 50 & Mobi
device holder. 2 per pack



07-4006-11
Strap to suit G-Hold 35.
2 per pack



07-4015-11
38mm buckle for Wall Sling
& Dive/Gas bottle holder



07-4014-11
Extenda Pole base
& spare section



07-4013-21
Replacement knobs
white 2 per pack



07-4013-11
Replacement knobs
black 2 per pack



07-4012-51
Bung & Gasket for StarPort.
2 per pack



07-4011-51
StarPort Slide.
2 per pack



07-4011-11
Cable & Converter for E
Series USB StarPort



07-4020-11
Base and Knob for Rod
Holder



07-4114-11
TracLoader T-Bolt & Nut Pair



07-4128-11
TracLoader SureMount
T-Bolt & Nut Pair



07-4161-51
Replacement C-Clip Slide
Lock. 2 Per Pack



07-4162-11
Replacement Battery Case to
suit i360 & IPS Navigation Lights



07-4163-11
VHB pad to suit
RIBPort



07-4164-11
VHB pad to suit
QuikPort



07-4166-11
Thumb Screw.
2 per pack



07-4048-11
Cheek adaptor x 2 with
bolts - Suitable for
StowPod, DrinkHolds, and
Hook2 adapter



07-4048-21
Cheek adaptor x 2 with
bolts - Suitable for
StowPod, DrinkHolds, and
Hook2 adapter



07-4140-11
R-Lock Knuckle Joint Base



07-4130-11
Camera Boom Base



07-4082-11
Strap for Rodholder R



07-4187-11
Port and G-Hold to suit
Trolling Motor Support XL



07-4076-81
Replacement Safety Flag



CT-1046
Dinghy Wheels
Transom Mount Bracket



50-0005-71
SandTrakz Sand Wheels (pair)

Apparel

Show your support (only from www.railblaza.com)



Long Sleeve fishing shirt:
RAILBLAZA unisex fishing shirts are 100% polyester, very lightweight, breathable, anti-bacterial, quick dry, UPF 50+ and comfortable to wear.
Sizes:
Refer to www.railblaza.com



50-0002-71
C-Tug Kiwi Wheels (Pair)



CT-1002
C-Tug Cross Beam - Single



CT-1003
C-Tug Kickstand



CT-1004
C-Tug Hull Pad



CT-1065
C-Tug Strap Kit



CT-1025
C-Tug Wheel Bushes



CT-1024
C-Tug Toggle Lock



CT-1056
C-Tug Dinghy
Puncture-Free Wheel



CT-1047
C-Tug Dinghy Wheel Fork



CT-1049
C-Tug Dinghy wheels
Stainless Axle & End cap



CT-1051
Lock Handle



CT-1076
C-Tug R Hull Rail



Trucker caps black,
blue or green

RAILBLAZA[®]
HOLD EVERYTHING...



For all product dimensions, specifications, instructions, IP registrations and more please visit www.railblaza.com

RAILBLAZA
5 YEAR
WARRANTY

25

RAILBLAZA products carry a 5 year warranty except for navigation lights, SandTrakz wheels and rubber straps. These have a 2 year warranty.

Many RAILBLAZA products contain recycled materials



RAILBLAZA reserve the right to change specifications, product descriptions and model applications at any time without notice and without further obligation. We assume no liability for any errors in listings, specifications, part numbers or model applications.

RAILBLAZA New Zealand
11 David McCathie Place
Silverdale, Auckland 0932
info@railblaza.com
+64 9 426 1475

RAILBLAZA USA
4000 Airline Drive, Suite C
Houston, Texas 77022
customer@railblazausa.com

